

2.0 FDN Closures

2.1 FDN Integrated Routing Closures

59 Port Base

C Length with Basket	48
C Length	49
B Length with Basket	50
B Length	51
AB Length with Basket	52
AB Length	53
A Length with Basket	54
A Length	55

16 Port Base

C Length with Basket	56
C Length	57
B Length with Basket	58
B Length	59
AB Length with Basket	60
AB Length	61
A Length with Basket	62
A Length	63

2.2 FDN Tubed Closures

59 Port Base

C Length with Basket	66
C Length	67
C Length with Multi-Ribbon Tray with Basket	68
B Length with Basket	69
B Length	70
B Length with Multi-Ribbon Tray with Basket	71
AB Length with Basket	72
AB Length	73
AB Length with Multi-Ribbon Tray with Basket	74
A Length with Basket	75
A Length	76
A Length with Multi-Ribbon Tray with Basket	77

16 Port Base

C Length with Basket	78
C Length	79
C Length with Multi-Ribbon Tray with Basket	80
B Length with Basket	81
B Length	82
B Length with Multi-Ribbon Tray with Basket	83
AB Length with Basket	84
AB Length	85
AB Length with Multi-Ribbon Tray with Basket	86
A Length with Basket	87
A Length	88
A Length with Multi-Ribbon Tray with Basket	89

2.1 FDN Integrated Routing Closures

Introduction

The FDN from HellermannTyton is a medium sized oval fibre optic splice closure. With two different base types, the FDN offers multiple uses in different applications. The 16 port FDN, with its larger ports, can be used in FTTH and trunk applications, whereas the 59 port FDN closure, with its high drop port count is particularly suited for use in FTTH access networks.

The oval shape of the FDN closure allows it to be installed in areas where space is restricted.

The Integrated Routing (IR) FDN closure has a modular fibre management system and is available in a range of lengths to suit the number of fibres and splices required. The IR system has been designed to ensure positive fibre management throughout the closure. The components ensure a 30mm bend radius can be maintained from cable entry all the way up onto the splice trays.

The IR system offers a number of configurations and splice tray options. Supplied in packs of 12 (SC Trays) or 6 (SE Trays), the trays can be easily installed onto the IR backplane. The splice trays can accommodate a number of splice types including 3A and ANT as well as a selection of fibre optic splitters.

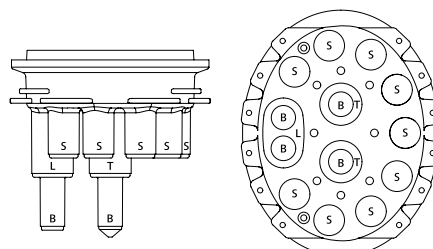
The FDN IR closure has a maximum splice capacity of 864 fibres using either the SC-B tray with 3A/ANT splices or the SE tray with ANT splices.

The closure cover is environmentally sealed with a high quality clamp and 'O' ring. The cable ports can be sealed using either Cablelok mechanical seals or heatshrink sleeves. The closure can be fitted with a flash test valve and/or grounding feed through. For flash test valve and/or grounding feed through versions please contact our sales office.

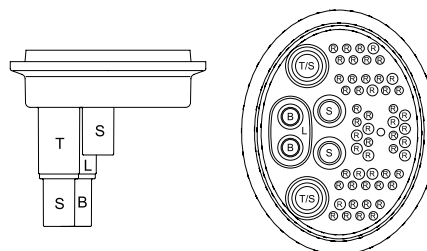


Features and Benefits

- Ideal for FTTH network applications, especially the last mile/ kilometre
- 58 or 15 round ports and 1 oval port (for loop through cable)
- Suitable for blown fibre/cable applications
- Accommodates up to 36 single element or 72 single circuit trays or a combination of both
- Can be configured with a fibre loop storage basket for loop through applications
- Available in 4 different lengths
- Cablelok compatible
- Oval shape for use where space is limited
- Quick release cover clamp
- For use in underground, direct burial and aerial applications
- Wall mounting brackets and stainless steel wall mounting strap kits available (see Chapter 13 - Accessories)



FDN 16 Port Base Configuration



FDN 59 Port Base Configuration

Port	Number of Ports		Cable Range (mm)	
	59	16	Cablelok	Heatshrink
L	1	1	2 x 5.5 – 20.0	2 x 12.0 – 24.0
T	2	2	15.5 – 29.0	12.0 – 35.0
S	4	9	5.0 – 20.0	12.0 – 26.0
B	2	4	4.8 – 16.5	6.0 – 19.0
R	52	-	1.7 – 9.5	-

HellermannTyton Integrated Routing closures are supplied in standard configurations, with fibre management and splice trays included, ready to use. If a standard configuration is not suitable, the closures can be supplied without splice trays which can then be ordered separately.

Port seals (Cablelok and heatshrink) and accessories (e.g. mounting brackets) must be ordered separately. HellermannTyton also offer a range of additional splice options including Crimp / ANT. For further details refer to Chapter 12.

Splice Type	Cover Reference	Closure Width (mm) D1 x D2	Closure Length (mm) L	Single Element (SE) Tray		Single Circuit (SC) Tray		
				Single Tray Quantity	Max Splice Capacity	Single Tray Quantity	Max Splice Capacity	
							SC	SC-B
3A	A	222 X 312	455	6(1) ‡	72	12(1)	48	144
	AB		561	12(2)	144	24(2)	96	288
	B		663	24(4)	288	48(4)	192	576
	C		789	36(6)	432	72(6)	288	864
ANT	A	222 X 312	455	6(1)	144	12(1)	48	144
	AB		561	12(2)	288	24(2)	96	288
	B		663	24(4)	576	48(4)	192	576
	C		789	36(6)	864	72(6)	288	864

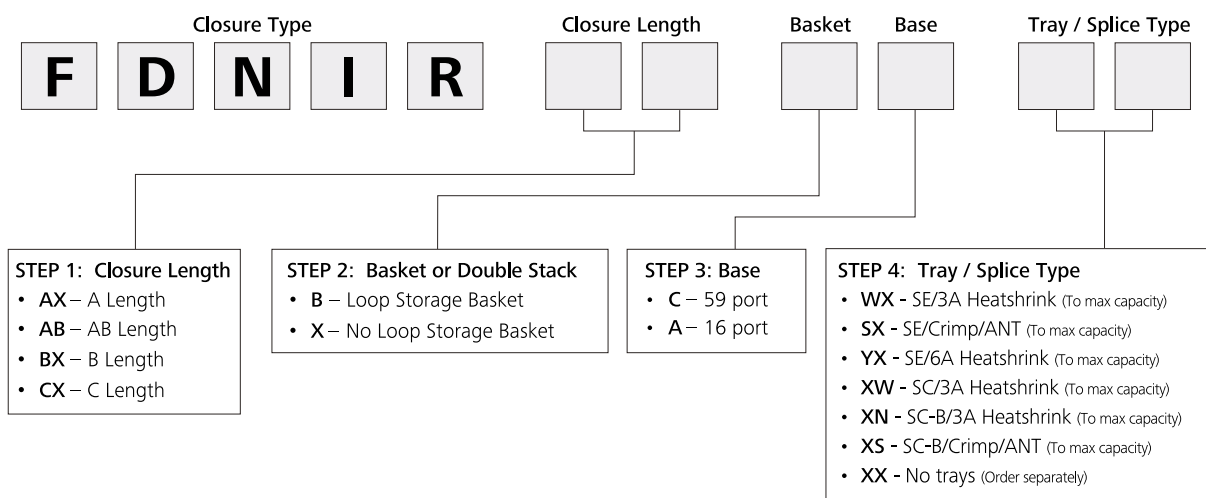
‡ (tray pack ordering multiple).

Part Number Identification

Identifying the correct part number is a simple process:

- STEP 1** Choose the appropriate closure length.
- STEP 2** Decide if a loop storage basket is required.
- STEP 3** Decide if you require a 59 port or 16 port base.
- STEP 4** Single Element (SE) or Single Circuit (SC) trays? Closures are supplied with either to the maximum number of trays for the chosen length. SE trays are supplied with 2 x 3A splice bridges as standard but can be supplied with ANT or 6A (See Chapter 12). SC / SC-B trays accommodate either 4 or 12 x 3A or ANT splice protectors in moulded splice holders. If a combination of SE and SC trays is needed, or a different number of trays to that supplied, then an unloaded closure should be ordered along with separate splice trays.

For additional information on tray types, splice protectors and splice capacity please refer to Chapter 12.



FDN IR



FDN 59 Port Integrated Routing Closure

C Length with Basket

Features and Benefits

- Maximum 864 fibre splice capacity when using SC-B tray
- 58 round ports and 1 oval port
- Positive fibre management to ensure consistent 30mm minimum fibre bend radii throughout
- Fibre storage basket for loop through applications
- Bi-directional fibre routing
- Accommodates SC, SC-B and SE trays
- Maximum 12 splices per tray
- Splitter accommodation
- Cablelok compatible for all port sizes
- Quick release cover
- Optional pressure release valve



FDN IR 59 Port C-Length Closure with Basket

FDN 59 Port Base Port Configuration

Technical Description

The FDN 59 Port Integrated Routing (IR) C Length closure with basket is supplied with a Polypropylene base. The base configuration of 58 round ports and 1 oval port covers a cable diameter range of 1.7 – 29.0mm when using Cablelok mechanical seals and 6.0 – 35.0mm when using heatshrink.

The mounting system is manufactured from Grade 304 stainless steel and the backplane is an aluminium extrusion which can accommodate up to 36 IR SE trays or 72 IR SC/SC-B trays or a combination of SE, SC and SC-B trays. The position of the mounting system allows easy access for the routing of the fibre on to the trays and the basket

provides storage space for the storage of fibre loops. The trays and fibre optic routing module are white which makes it easy to see the colour of the fibre elements as they are routed through the positive fibre management system. Fibre slot retaining blocks guide fibre elements in to the IR system, the foam pad on the retainer is partially cut through to accommodate a range of fibre counts.

All IR system cover plates are coloured blue identifying them as removable parts allowing access to the fibre, the fibre slot retaining block and tray retaining clips are coloured red to aid in identification if they are dropped.

TYPE	Width D1 (mm)	Width D2 (mm)	Length L (mm)	Base Type	Tray Type	Tray Quantity	Splice Protector Type	Basket Size	Article-No.
FDNIR-CXBCXW	312	222	789	Cablelok, Heatshrink	IR SC	72	3A	Large	857-00510
FDNIR-CXBCXN	312	222	789	Cablelok, Heatshrink	IR SC-B	72	3A	Large	857-00898
FDNIR-CXBCWX	312	222	789	Cablelok, Heatshrink	IR SE	36	3A	Large	857-00509
FDNIR-CXBCXX	312	222	789	Cablelok, Heatshrink	Not supplied	-	-	Large	857-00508

Products listed are for standard configurations, other configurations and splice insert types are available - see Page 176

Content of Set/Kit

- FDN 59 Port IR Base
- C-Length Cover (Dome)
- Quick Release Clamp
- Sealing 'O' Ring
- Fibre Storage Basket
- Fibre Optic Routing Module
- Fibre Optic Storage Unit
- Fibre Optic Storage Unit Lid
- Fibre Slot Entry Module
- Fibre Slot Retaining Block
- Reusable Cable Ties
- Tray Lid
- Tray Tool
- Anchor Fixing Kit (3)
- Spiral Binding
- Isopropyl Alcohol Wipes
- Desiccant
- Installation Guide
- Marker Kit
 - Red Marker 1 – 48
 - Green Marker 1 – 48



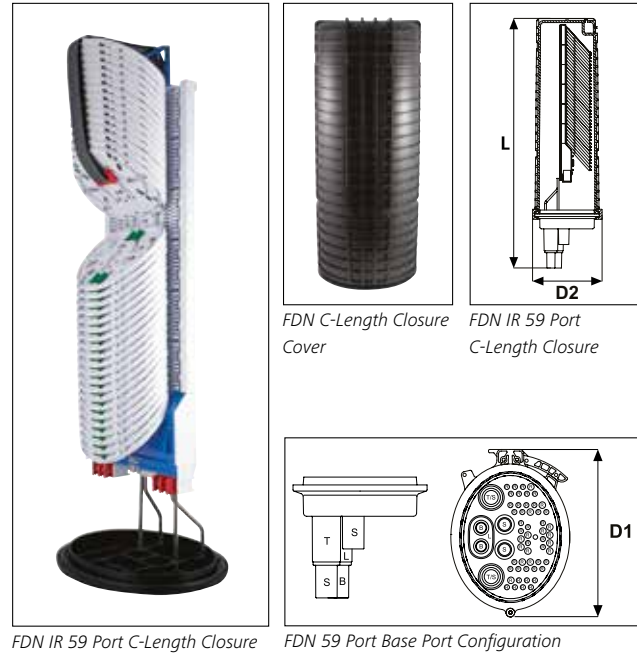
FDN IR

FDN 59 Port Integrated Routing Closure

C Length

Features and Benefits

- Maximum 864 fibre splice capacity when using SC-B tray
- 58 round ports and 1 oval port
- Positive fibre management to ensure consistent 30mm minimum fibre bend radii throughout
- Bi-directional fibre routing
- Accommodates SC, SC-B and SE trays
- Maximum 12 splices per tray
- Splitter accommodation
- Cablelok compatible for all port sizes
- Quick release cover
- Optional pressure release valve



FDN IR 59 Port C-Length Closure

FDN 59 Port Base Port Configuration

Technical Description

The FDN 59 Port Integrated Routing (IR) C Length closure is supplied with a Polypropylene base. The base configuration of 58 round ports and 1 oval port covers a cable diameter range of 1.7 – 29.0mm when using Cablelok mechanical seals and 6.0 – 35.0mm when using heatshrink.

The mounting system is manufactured from Grade 304 stainless steel and the backplane is an aluminium extrusion which can accommodate up to 36 IR SE trays or 72 IR SC/SC-B trays or a combination of SE, SC and SC-B trays. The position of the mounting system allows easy access for the routing of the fibre on to the trays. The trays and fibre

optic routing module are white which makes it easy to see the colour of the fibre elements as they are routed through the positive fibre management system. Fibre slot retaining blocks guide fibre elements in to the IR system, the foam pad on the retainer is partially cut through to accommodate a range of fibre counts.

All IR system cover plates are coloured blue identifying them as removable parts allowing access to the fibre, the fibre slot retaining block and tray retaining clips are coloured red to aid in identification if they are dropped.

TYPE	Width D1 (mm)	Width D2 (mm)	Length L (mm)	Base Type	Tray Type	Tray Quantity	Splice Protector Type	Article-No.
FDNIR-CXXCXW	312	222	789	Cablelok, Heatshrink	IR SC	72	3A	857-00507
FDNIR-CXXCXN	312	222	789	Cablelok, Heatshrink	IR SC-B	72	3A	857-00902
FDNIR-CXXCWX	312	222	789	Cablelok, Heatshrink	IR SE	36	3A	857-00506
FDNIR-CXXCXX	312	222	789	Cablelok, Heatshrink	Not supplied	-	-	857-00505

Products listed are for standard configurations, other configurations and splice insert types are available - see Page 176

Content of Set/Kit

- | | | | |
|------------------------------|--------------------------------|---------------------------|-----------------------|
| • FDN 59 Port IR Base | • Fibre Optic Storage Unit Lid | • Anchor Fixing Kit (3) | • Marker Kit |
| • C-Length Cover (Dome) | • Fibre Slot Entry Module | • Spiral Binding | - Red Marker 1 - 48 |
| • Quick Release Clamp | • Fibre Slot Retaining Block | • Isopropyl Alcohol Wipes | - Green Marker 1 - 48 |
| • Sealing 'O' Ring | • Reusable Cable Ties | • Desiccant | |
| • Fibre Optic Routing Module | • Tray Lid | • Installation Guide | |
| • Fibre Optic Storage Unit | • Tray Tool | | |



FDN 59 Port Integrated Routing Closure

B Length with Basket

Features and Benefits

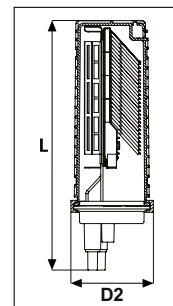
- Maximum 576 fibre splice capacity when using SC-B tray
- 58 round ports and 1 oval port
- Positive fibre management to ensure consistent 30mm minimum fibre bend radii throughout
- Fibre storage basket for loop through applications
- Bi-directional fibre routing
- Accommodates SC, SC-B and SE trays
- Maximum 12 splices per tray
- Splitter accommodation
- Cablelok compatible for all port sizes
- Quick release cover
- Optional pressure release valve



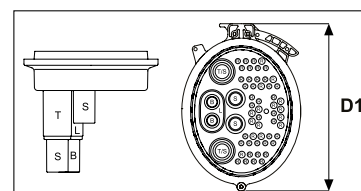
FDN IR 59 Port B-Length Closure with Basket



FDN B-Length Closure Cover



FDN IR 59 Port B-Length Closure with Basket



FDN 59 Port Base Port Configuration

Technical Description

The FDN 59 Port Integrated Routing (IR) B Length closure with basket is supplied with a Polypropylene base. The base configuration of 58 round ports and 1 oval port covers a cable diameter range of 1.7 – 29.0mm when using Cablelok mechanical seals and 6.0 – 35.0mm when using heatshrink.

The mounting system is manufactured from Grade 304 stainless steel and the backplane is an aluminium extrusion which can accommodate up to 24 IR SE trays or 48 IR SC/SC-B trays or a combination of SE, SC and SC-B trays. The position of the mounting system allows easy access for the routing of the fibre on to the trays and the basket

provides storage space for the storage of fibre loops. The trays and fibre optic routing module are white which makes it easy to see the colour of the fibre elements as they are routed through the positive fibre management system. Fibre slot retaining blocks guide fibre elements in to the IR system, the foam pad on the retainer is partially cut through to accommodate a range of fibre counts.

All IR system cover plates are coloured blue identifying them as removable parts allowing access to the fibre, the fibre slot retaining block and tray retaining clips are coloured red to aid in identification if they are dropped.

TYPE	Width D1 (mm)	Width D2 (mm)	Length L (mm)	Base Type	Tray Type	Tray Quantity	Splice Protector Type	Basket Size	Article-No.
FDNIR-BXBCXW	312	222	663	Cablelok, Heatshrink	IR SC	48	3A	Medium	857-00504
FDNIR-BXBCXN	312	222	663	Cablelok, Heatshrink	IR SC-B	48	3A	Medium	857-00897
FDNIR-BXBCWX	312	222	663	Cablelok, Heatshrink	IR SE	24	3A	Medium	857-00503
FDNIR-BXBCXX	312	222	663	Cablelok, Heatshrink	Not supplied	-	-	Medium	857-00502

Products listed are for standard configurations, other configurations and splice insert types are available - see Page 176

Content of Set/Kit

- | | | | |
|------------------------------|--------------------------------|---------------------------|-----------------------|
| • FDN 59 Port IR Base | • Fibre Optic Storage Unit | • Tray Tool | • Marker Kit |
| • B-Length Cover (Dome) | • Fibre Optic Storage Unit Lid | • Anchor Fixing Kit (3) | - Red Marker 1 - 48 |
| • Quick Release Clamp | • Fibre Slot Entry Module | • Spiral Binding | - Green Marker 1 - 48 |
| • Sealing 'O' Ring | • Fibre Slot Retaining Block | • Isopropyl Alcohol Wipes | |
| • Fibre Storage Basket | • Reusable Cable Ties | • Desiccant | |
| • Fibre Optic Routing Module | • Tray Lid | • Installation Guide | |



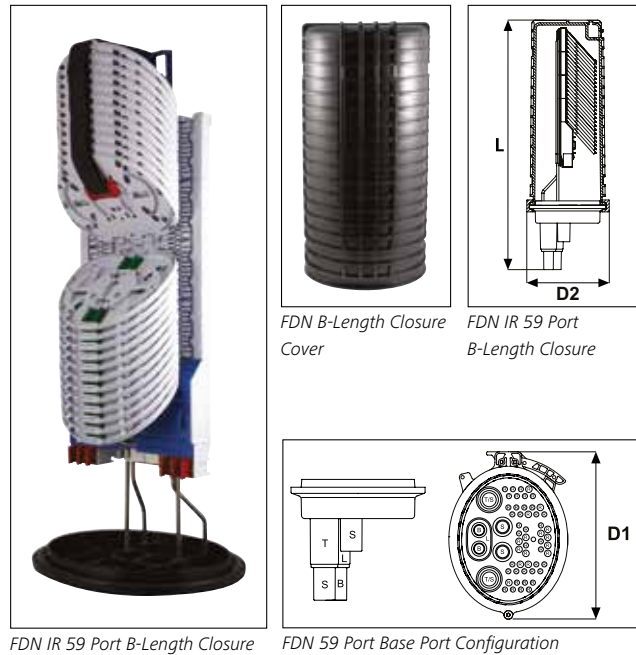
FDN IR

FDN 59 Port Integrated Routing Closure

B Length

Features and Benefits

- Maximum 576 fibre splice capacity when using SC-B tray
- 58 round ports and 1 oval port
- Positive fibre management to ensure consistent 30mm minimum fibre bend radii throughout
- Bi-directional fibre routing
- Accommodates SC, SC-B and SE trays
- Maximum 12 splices per tray
- Splitter accommodation
- Cablelok compatible for all port sizes
- Quick release cover
- Optional pressure release valve



FDN IR 59 Port B-Length Closure

FDN 59 Port Base Port Configuration

Technical Description

The FDN 59 Port Integrated Routing (IR) B Length closure is supplied with a Polypropylene base. The base configuration of 58 round ports and 1 oval port covers a cable diameter range of 1.7 – 29.0mm when using Cablelok mechanical seals and 6.0 – 35.0mm when using heatshrink.

The mounting system is manufactured from Grade 304 stainless steel and the backplane is an aluminium extrusion which can accommodate up to 24 IR SE trays or 48 IR SC/SC-B trays or a combination of SE, SC and SC-B trays. The position of the mounting system allows easy access for the routing of the fibre on to the trays. The trays and fibre

optic routing module are white which makes it easy to see the colour of the fibre elements as they are routed through the positive fibre management system. Fibre slot retaining blocks guide fibre elements in to the IR system, the foam pad on the retainer is partially cut through to accommodate a range of fibre counts.

All IR system cover plates are coloured blue identifying them as removable parts allowing access to the fibre, the fibre slot retaining block and tray retaining clips are coloured red to aid in identification if they are dropped.

TYPE	Width D1 (mm)	Width D2 (mm)	Length L (mm)	Base Type	Tray Type	Tray Quantity	Splice Protector Type	Article-No.
FDNIR-BXXCXW	312	222	663	Cablelok, Heatshrink	IR SC	48	3A	857-00501
FDNIR-BXXCXN	312	222	663	Cablelok, Heatshrink	IR SC-B	48	3A	857-00901
FDNIR-BXXCWX	312	222	663	Cablelok, Heatshrink	IR SE	24	3A	857-00500
FDNIR-BXXCXX	312	222	663	Cablelok, Heatshrink	Not supplied	-	-	857-00499

Products listed are for standard configurations, other configurations and splice insert types are available - see Page 176

Content of Set/Kit

- FDN 59 Port IR Base
- B-Length Cover (Dome)
- Quick Release Clamp
- Sealing 'O' Ring
- Fibre Optic Routing Module
- Fibre Optic Storage Unit
- Fibre Optic Storage Unit Lid
- Fibre Slot Entry Module
- Fibre Slot Retaining Block
- Reusable Cable Ties
- Tray Lid
- Tray Tool
- Anchor Fixing Kit (3)
- Spiral Binding
- Isopropyl Alcohol Wipes
- Desiccant
- Installation Guide
- Marker Kit
 - Red Marker 1 - 48
 - Green Marker 1 - 48



FDN 59 Port Integrated Routing Closure

AB Length with Basket

Features and Benefits

- Maximum 288 fibre splice capacity when using SC-B tray
- 58 round ports and 1 oval port
- Positive fibre management to ensure consistent 30mm minimum fibre bend radii throughout
- Fibre storage basket for loop through applications
- Bi-directional fibre routing
- Accommodates SC, SC-B and SE trays
- Maximum 12 splices per tray
- Splitter accommodation
- Cablelok compatible for all port sizes
- Quick release cover
- Optional pressure release valve



FDN IR 59 Port AB-Length Closure with Basket

FDN 59 Port Base Port Configuration

Technical Description

The FDN 59 Port Integrated Routing (IR) AB Length closure with basket is supplied with a Polypropylene base. The base configuration of 58 round ports and 1 oval port covers a cable diameter range of 1.7 – 29.0mm when using Cablelok mechanical seals and 6.0 – 35.0mm when using heatshrink.

The mounting system is manufactured from Grade 304 stainless steel and the backplane is an aluminium extrusion which can accommodate up to 12 IR SE trays or 24 IR SC/SC-B trays or a combination of SE, SC and SC-B trays. The position of the mounting system allows easy access for the routing of the fibre on to the trays and the basket

provides storage space for the storage of fibre loops. The trays and fibre optic routing module are white which makes it easy to see the colour of the fibre elements as they are routed through the positive fibre management system. Fibre slot retaining blocks guide fibre elements in to the IR system, the foam pad on the retainer is partially cut through to accommodate a range of fibre counts.

All IR system cover plates are coloured blue identifying them as removable parts allowing access to the fibre, the fibre slot retaining block and tray retaining clips are coloured red to aid in identification if they are dropped.

TYPE	Width D1 (mm)	Width D2 (mm)	Length L (mm)	Base Type	Tray Type	Tray Quantity	Splice Protector Type	Basket Size	Article-No.
FDNIR-ABBCXW	312	222	561	Cablelok, Heatshrink	IR SC	24	3A	Small	857-00498
FDNIR-ABBCXN	312	222	561	Cablelok, Heatshrink	IR SC-B	24	3A	Small	857-00896
FDNIR-ABBCWX	312	222	561	Cablelok, Heatshrink	IR SE	12	3A	Small	857-00497
FDNIR-ABBCXX	312	222	561	Cablelok, Heatshrink	Not supplied	-	-	Small	857-00496

Products listed are for standard configurations, other configurations and splice insert types are available - see Page 176

Content of Set/Kit

- FDN 59 Port IR Base
- AB-Length Cover (Dome)
- Quick Release Clamp
- Sealing 'O' Ring
- Fibre Storage Basket
- Fibre Optic Routing Module
- Fibre Optic Storage Unit
- Fibre Optic Storage Unit Lid
- Fibre Slot Entry Module
- Fibre Slot Retaining Block
- Reusable Cable Ties
- Tray Lid
- Tray Tool
- Anchor Fixing Kit (3)
- Spiral Binding
- Isopropyl Alcohol Wipes
- Desiccant
- Installation Guide
- Marker Kit
 - Red Marker 1 - 25
 - Green Marker 1 - 25



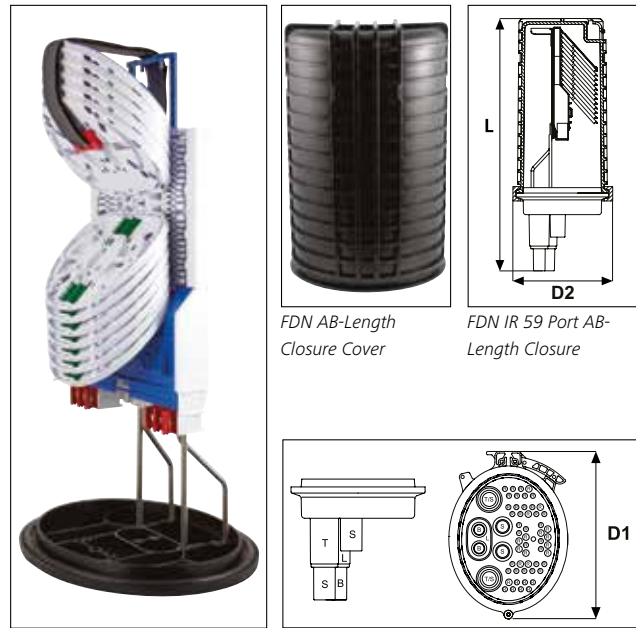
FDN IR

FDN 59 Port Integrated Routing Closure

AB Length

Features and Benefits

- Maximum 288 fibre splice capacity when using SC-B tray
- 58 round ports and 1 oval port
- Positive fibre management to ensure consistent 30mm minimum fibre bend radii throughout
- Bi-directional fibre routing
- Accommodates SC, SC-B and SE trays
- Maximum 12 splices per tray
- Splitter accommodation
- Cablelok compatible for all port sizes
- Quick release cover
- Optional pressure release valve



FDN IR 59 Port AB-Length Closure

FDN 59 Port Base Port Configuration

Technical Description

The FDN 59 Port Integrated Routing (IR) AB Length closure is supplied with a Polypropylene base. The base configuration of 58 round ports and 1 oval port covers a cable diameter range of 1.7 – 29.0mm when using Cablelok mechanical seals and 6.0 – 35.0mm when using heatshrink.

The mounting system is manufactured from Grade 304 stainless steel and the backplane is an aluminium extrusion which can accommodate up to 12 IR SE trays or 24 IR SC/SC-B trays or a combination of SE, SC and SC-B trays. The position of the mounting system allows easy access for the routing of the fibre on to the trays. The trays and fibre

optic routing module are white which makes it easy to see the colour of the fibre elements as they are routed through the positive fibre management system. Fibre slot retaining blocks guide fibre elements in to the IR system, the foam pad on the retainer is partially cut through to accommodate a range of fibre counts.

All IR system cover plates are coloured blue identifying them as removable parts allowing access to the fibre, the fibre slot retaining block and tray retaining clips are coloured red to aid in identification if they are dropped.

TYPE	Width D1 (mm)	Width D2 (mm)	Length L (mm)	Base Type	Tray Type	Tray Quantity	Splice Protector Type	Article-No.
FDNIR-ABXCXW	312	222	561	Cablelok, Heatshrink	IR SC	24	3A	857-00495
FDNIR-ABXCXN	312	222	561	Cablelok, Heatshrink	IR SC-B	24	3A	857-00900
FDNIR-ABXCWX	312	222	561	Cablelok, Heatshrink	IR SE	12	3A	857-00494
FDNIR-ABXCXX	312	222	561	Cablelok, Heatshrink	Not supplied	-	-	857-00493

Products listed are for standard configurations, other configurations and splice insert types are available - see Page 176

Content of Set/Kit

- FDN 59 Port IR Base
- AB-Length Cover (Dome)
- Quick Release Clamp
- Sealing 'O' Ring
- Fibre Optic Routing Module
- Fibre Optic Storage Unit
- Fibre Optic Storage Unit Lid
- Fibre Slot Entry Module
- Fibre Slot Retaining Block
- Reusable Cable Ties
- Tray Lid
- Tray Tool
- Anchor Fixing Kit (3)
- Spiral Binding
- Isopropyl Alcohol Wipes
- Desiccant
- Installation Guide
- Marker Kit
 - Red Marker 1 - 25
 - Green Marker 1 - 25



FDN 59 Port Integrated Routing Closure

A Length with Basket

Features and Benefits

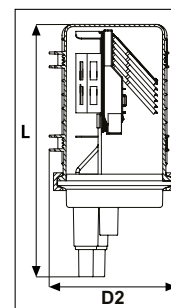
- Maximum 144 fibre splice capacity when using SC-B tray
- 58 round ports and 1 oval port
- Positive fibre management to ensure consistent 30mm minimum fibre bend radii throughout
- Fibre storage basket for loop through applications
- Bi-directional fibre routing
- Accommodates SC, SC-B and SE trays
- Maximum 12 splices per tray
- Splitter accommodation
- Cablelok compatible for all port sizes
- Quick release cover
- Optional pressure release valve



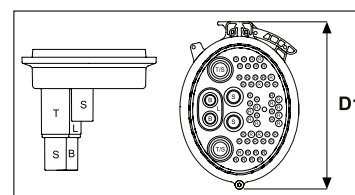
FDN IR 59 Port A-Length Closure with Basket



FDN 59 Port A-Length Closure Cover



FDN IR 59 Port A-Length Closure with Basket



FDN 59 Port Base Port Configuration

Technical Description

The FDN 59 Port Integrated Routing (IR) A Length closure with basket is supplied with a Polypropylene base. The base configuration of 58 IR SE trays or 12 IR SC/SC-B trays or a combination of SE, SC and SC-B trays. The position of the mounting system allows easy access for the routing of the fibre on to the trays and the basket provides storage

The mounting system is manufactured from Grade 304 stainless steel and the backplane is an aluminium extrusion which can accommodate up to 6 IR SE trays or 12 IR SC/SC-B trays or a combination of SE, SC and SC-B trays. The position of the mounting system allows easy access for the routing of the fibre on to the trays and the basket provides storage

space for the storage of fibre loops. The trays and fibre optic routing module are white which makes it easy to see the colour of the fibre elements as they are routed through the positive fibre management system. Fibre slot retaining blocks guide fibre elements in to the IR system, the foam pad on the retainer is partially cut through to accommodate a range of fibre counts.

All IR system cover plates are coloured blue identifying them as removable parts allowing access to the fibre, the fibre slot retaining block and tray retaining clips are coloured red to aid in identification if they are dropped.

TYPE	Width D1 (mm)	Width D2 (mm)	Length L (mm)	Base Type	Tray Type	Tray Quantity	Splice Protector Type	Basket Size	Article-No.
FDNIR-AXBCXW	312	222	455	Cablelok, Heatshrink	IR SC	12	3A	Small	857-00492
FDNIR-AXBCXN	312	222	455	Cablelok, Heatshrink	IR SC-B	12	3A	Small	857-00895
FDNIR-AXBCWX	312	222	455	Cablelok, Heatshrink	IR SE	6	3A	Small	857-00491
FDNIR-AXBCXX	312	222	455	Cablelok, Heatshrink	Not supplied	-	-	Small	857-00490

Products listed are for standard configurations, other configurations and splice insert types are available - see Page 176

Content of Set/Kit

- FDN 59 Port IR Base
- A-Length Cover (Dome)
- Quick Release Clamp
- Sealing 'O' Ring
- Fibre Storage Basket
- Fibre Optic Routing Module
- Fibre Optic Storage Unit
- Fibre Optic Storage Unit Lid
- Fibre Slot Entry Module
- Fibre Slot Retaining Block
- Reusable Cable Ties
- Tray Lid
- Tray Tool
- Anchor Fixing Kit (3)
- Spiral Binding
- Isopropyl Alcohol Wipes
- Desiccant
- Installation Guide
- Marker Kit
 - Red Marker 1 - 12
 - Green Marker 1 - 12



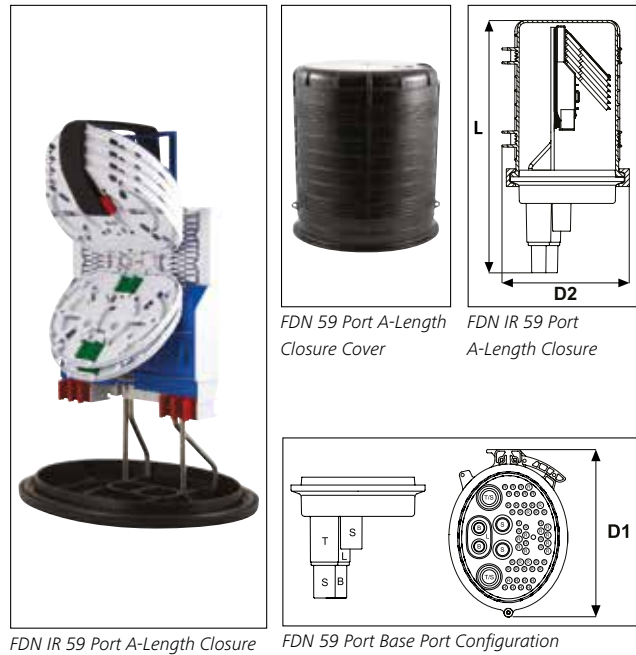
FDN IR

FDN 59 Port Integrated Routing Closure

A Length

Features and Benefits

- Maximum 144 fibre splice capacity when using SC-B tray
- 58 round ports and 1 oval port
- Positive fibre management to ensure consistent 30mm minimum fibre bend radii throughout
- Bi-directional fibre routing
- Accommodates SC, SC-B and SE trays
- Maximum 12 splices per tray
- Splitter accommodation
- Cablelok compatible for all port sizes
- Quick release cover
- Optional pressure release valve



FDN IR 59 Port A-Length Closure

FDN 59 Port Base Port Configuration

Technical Description

The FDN 59 Port Integrated Routing (IR) A Length closure is supplied with a Polypropylene base. The base configuration of 58 round ports and 1 oval port covers a cable diameter range of 1.7 – 29.0mm when using Cablelok mechanical seals and 6.0 – 35.0mm when using heatshrink.

The mounting system is manufactured from Grade 304 stainless steel and the backplane is an aluminium extrusion which can accommodate up to 6 IR SE trays or 12 IR SC/SC-B trays or a combination of SE, SC and SC-B trays. The position of the mounting system allows easy access for the routing of the fibre on to the trays. The trays and fibre

optic routing module are white which makes it easy to see the colour of the fibre elements as they are routed through the positive fibre management system. Fibre slot retaining blocks guide fibre elements in to the IR system, the foam pad on the retainer is partially cut through to accommodate a range of fibre counts.

All IR system cover plates are coloured blue identifying them as removable parts allowing access to the fibre, the fibre slot retaining block and tray retaining clips are coloured red to aid in identification if they are dropped.

TYPE	Width D1 (mm)	Width D2 (mm)	Length L (mm)	Base Type	Tray Type	Tray Quantity	Splice Protector Type	Article-No.
FDNIR-AXXCXW	312	222	455	Cablelok, Heatshrink	IR SC	12	3A	857-00489
FDNIR-AXXCXN	312	222	455	Cablelok, Heatshrink	IR SC-B	12	3A	857-00899
FDNIR-AXXCWX	312	222	455	Cablelok, Heatshrink	IR SE	6	3A	857-00488
FDNIR-AXXCXX	312	222	455	Cablelok, Heatshrink	Not supplied	-	-	857-00487

Products listed are for standard configurations, other configurations and splice insert types are available - see Page 176

Content of Set/Kit

- FDN 59 Port IR Base
- A-Length Cover (Dome)
- Quick Release Clamp
- Sealing 'O' Ring
- Fibre Optic Routing Module
- Fibre Optic Storage Unit
- Fibre Optic Storage Unit Lid
- Fibre Slot Entry Module
- Fibre Slot Retaining Block
- Reusable Cable Ties
- Tray Lid
- Tray Tool
- Anchor Fixing Kit (3)
- Spiral Binding
- Isopropyl Alcohol Wipes
- Desiccant
- Installation Guide
- Marker Kit
 - Red Marker 1 - 12
 - Green Marker 1 - 12

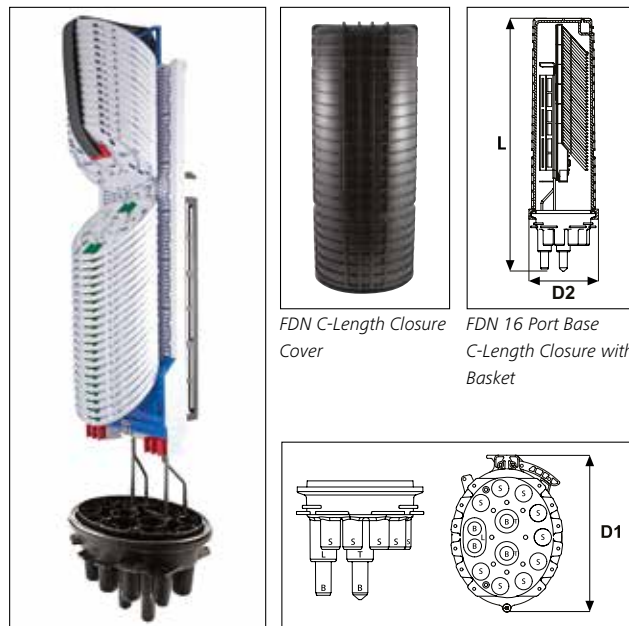


FDN 16 Port Integrated Routing Closure

C Length with Basket

Features and Benefits

- Maximum 864 fibre splice capacity when using SC-B tray
- 15 round ports and 1 oval port
- Moulded supports allow the cover to be removed whilst closure is left in-situ
- Fixing points for external cable management attachments
- Positive fibre management to ensure consistent 30mm bend radii throughout
- Fibre storage basket for loop through applications
- Bi-directional fibre routing
- Accommodates SC, SC-B and SE trays
- Maximum 12 splices per tray
- Splitter accommodation
- Cablelok compatible for all port sizes
- Quick release cover
- Optional pressure release valve



FDN IR 16 Port C-Length Closure with Basket

FDN 16 Port Base Configuration

Technical Description

The FDN 16 Port Integrated Routing (IR) C Length closure with basket is supplied with a Polypropylene base. The base configuration of 15 round ports and 1 oval port covers a cable diameter range of 4.8 – 29.0mm when using Cablelok mechanical seals and 6.0 – 35.0mm when using heatshrink. The moulded supports on the base allow the cover to be removed from the closure whilst it is still in-situ. Bosses moulded in to the closure base enable fixing of external cable management attachments.

The mounting system is manufactured from Grade 304 stainless steel and the backplane is an aluminium extrusion which can accommodate up to 36 IR SE or 72 IR SC/SC-B trays or a combination of SE, SC and SC-B trays. The position of the mounting system allows easy access for

the routing of the fibre on to the trays and the basket provides storage space for the storage of fibre loops. The trays and fibre optic routing module are white which makes it easy to see the colour of the fibre elements as they are routed through the positive fibre management system. Fibre slot retaining blocks guide fibre elements in to the IR system; the foam pad on the retainer is partially cut through to accommodate a range of fibre counts.

All IR system cover plates are coloured blue identifying them as removable parts allowing access to the fibre, the fibre slot retaining block and tray retaining clips are coloured red to aid in identification if they are dropped.

TYPE	Width D1 (mm)	Width D2 (mm)	Length L (mm)	Base Type	Tray Type	Tray Quantity	Splice Protector Type	Basket Size	Article-No.
FDNIR-CXBAXW	312	222	789	Cablelok, Heatshrink	IR SC	72	3A	Large	857-00985
FDNIR-CXBAXN	312	222	789	Cablelok, Heatshrink	IR SC-B	72	3A	Large	857-00986
FDNIR-CXBAWX	312	222	789	Cablelok, Heatshrink	IR SE	36	3A	Large	857-00984
FDNIR-CXBAXX	312	222	789	Cablelok, Heatshrink	Not supplied	-	-	Large	857-00987

Products listed are for standard configurations, other configurations and splice insert types are available - see Page 176

Content of Set/Kit

- FDN 16 Port IR Base
- C-Length Cover
- Quick Release Clamp
- Sealing 'O' Ring
- Fibre Storage Basket
- Fibre Optic Routing Module
- Fibre Optic Storage Unit
- Fibre Optic Storage Unit Lid
- Fibre Slot Entry Module
- Fibre Slot Retaining Block
- Reusable Cable Ties
- Tray Lid
- Tray Tool
- Anchor Fixing Kit (3)
- Spiral Binding
- Isopropyl Alcohol Wipes
- Desiccant
- Installation Guide
- Marker Kit
 - Red Marker 1 – 48
 - Green Marker 1 – 48



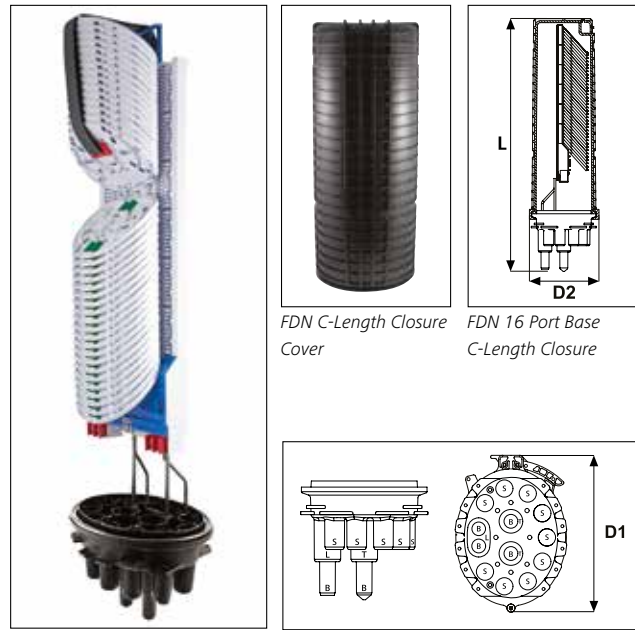
FDN IR

FDN 16 Port Integrated Routing Closure

C Length

Features and Benefits

- Maximum 864 fibre splice capacity when using SC-B tray
- 15 round ports and 1 oval port
- Moulded supports allow the cover to be removed whilst closure is left in-situ
- Fixing points for external cable management attachments
- Positive fibre management to ensure consistent 30mm bend radii throughout
- Bi-directional fibre routing
- Accommodates SC, SC-B and SE trays
- Maximum 12 splices per tray
- Splitter accommodation
- Cablelok compatible for all port sizes
- Quick release cover
- Optional pressure release valve



FDN IR 16 Port C-Length Closure

FDN 16 Port Base Configuration

Technical Description

The FDN 16 Port Integrated Routing (IR) C Length is supplied with a Polypropylene base. The base configuration of 15 round ports and 1 oval port covers a cable diameter range of 4.8 – 29.0mm when using Cablelok mechanical seals and 6.0 – 35.0mm when using heatshrink. The moulded supports on the base allow the cover to be removed from the closure whilst it is still in-situ. Bosses moulded in to the closure base enable fixing of external cable management attachments.

The mounting system is manufactured from Grade 304 stainless steel and the backplane is an aluminium extrusion which can accommodate up to 36 IR SE or 72 IR SC/SC-B trays or a combination of SE, SC and SC-B trays. The position of the mounting system allows easy access for

the routing of the fibre on to the trays. The trays and fibre optic routing module are white which makes it easy to see the colour of the fibre elements as they are routed through the positive fibre management system. Fibre slot retaining blocks guide fibre elements in to the IR system; the foam pad on the retainer is partially cut through to accommodate a range of fibre counts.

All IR system cover plates are coloured blue identifying them as removable parts allowing access to the fibre, the fibre slot retaining block and tray retaining clips are coloured red to aid in identification if they are dropped.

TYPE	Width D1 (mm)	Width D2 (mm)	Length L (mm)	Base Type	Tray Type	Tray Quantity	Splice Protector Type	Article-No.
FDNIR-CXXAXW	312	222	789	Cablelok, Heatshrink	IR SC	72	3A	857-00989
FDNIR-CXXAXN	312	222	789	Cablelok, Heatshrink	IR SC-B	72	3A	857-00990
FDNIR-CXXAWX	312	222	789	Cablelok, Heatshrink	IR SE	36	3A	857-00988
FDNIR-CXXAXX	312	222	789	Cablelok, Heatshrink	Not supplied	-	-	857-00991

Products listed are for standard configurations, other configurations and splice insert types are available - see Page 176

Content of Set/Kit

- FDN 16 Port IR Base
- C-Length Cover
- Quick Release Clamp
- Sealing 'O' Ring
- Fibre Optic Routing Module
- Fibre Optic Storage Unit
- Fibre Optic Storage Unit Lid
- Fibre Slot Entry Module
- Fibre Slot Retaining Block
- Reusable Cable Ties
- Tray Lid
- Tray Tool
- Anchor Fixing Kit (3)
- Spiral Binding
- Isopropyl Alcohol Wipes
- Desiccant
- Installation Guide
- Marker Kit
 - Red Marker 1 – 48
 - Green Marker 1 – 48

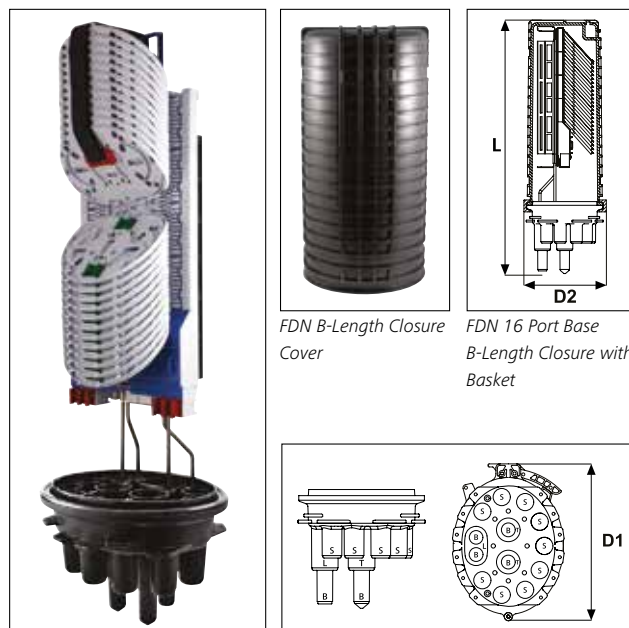


FDN 16 Port Integrated Routing Closure

B Length with Basket

Features and Benefits

- Maximum 576 fibre splice capacity when using SC-B tray
- 15 round ports and 1 oval port
- Moulded supports allow the cover to be removed whilst closure is left in-situ
- Fixing points for external cable management attachments
- Positive fibre management to ensure consistent 30mm bend radii throughout
- Fibre storage basket for loop through applications
- Bi-directional fibre routing
- Accommodates SC, SC-B and SE trays
- Maximum 12 splices per tray
- Splitter accommodation
- Cablelok compatible for all port sizes
- Quick release cover
- Optional pressure release valve



FDN IR 16 Port B-Length Closure with Basket

FDN 16 Port Base Configuration

Technical Description

The FDN 16 Port Integrated Routing (IR) B Length closure with basket is supplied with a Polypropylene base. The base configuration of 15 round ports and 1 oval port covers a cable diameter range of 4.8 – 29.0mm when using Cablelok mechanical seals and 6.0 – 35.0mm when using heatshrink. The moulded supports on the base allow the cover to be removed from the closure whilst it is still in-situ. Bosses moulded in to the closure base enable fixing of cable management attachments.

The mounting system is manufactured from Grade 304 stainless steel and the backplane is an aluminium extrusion which can accommodate up to 24 IR SE or 48 IR SC/SC-B trays or a combination of SE, SC and SC-B trays. The position of the mounting system allows easy access for

the routing of the fibre on to the trays and the basket provides storage space for the storage of fibre loops. The trays and fibre optic routing module are white which makes it easy to see the colour of the fibre elements as they are routed through the positive fibre management system. Fibre slot retaining blocks guide fibre elements in to the IR system; the foam pad on the retainer is partially cut through to accommodate a range of fibre counts.

All IR system cover plates are coloured blue identifying them as removable parts allowing access to the fibre, the fibre slot retaining block and tray retaining clips are coloured red to aid in identification if they are dropped.

TYPE	Width D1 (mm)	Width D2 (mm)	Length L (mm)	Base Type	Tray Type	Tray Quantity	Splice Protector Type	Basket Size	Article-No.
FDNIR-BXBAXW	312	222	663	Cablelok, Heatshrink	IR SC	48	3A	Medium	857-00993
FDNIR-BXBAXN	312	222	663	Cablelok, Heatshrink	IR SC-B	48	3A	Medium	857-00994
FDNIR-BXBAXW	312	222	663	Cablelok, Heatshrink	IR SE	24	3A	Medium	857-00992
FDNIR-BXBAXX	312	222	663	Cablelok, Heatshrink	Not supplied	-	-	Medium	857-00995

Products listed are for standard configurations, other configurations and splice insert types are available - see Page 176

Content of Set/Kit

- FDN 16 Port IR Base
- B-Length Cover
- Quick Release Clamp
- Sealing 'O' Ring
- Fibre Storage Basket
- Fibre Optic Routing Module
- Fibre Optic Storage Unit
- Fibre Optic Storage Unit Lid
- Fibre Slot Entry Module
- Fibre Slot Retaining Block
- Reusable Cable Ties
- Tray Lid
- Tray Tool
- Anchor Fixing Kit (3)
- Spiral Binding
- Isopropyl Alcohol Wipes
- Desiccant
- Installation Guide
- Marker Kit
 - Red Marker 1 – 48
 - Green Marker 1 – 48



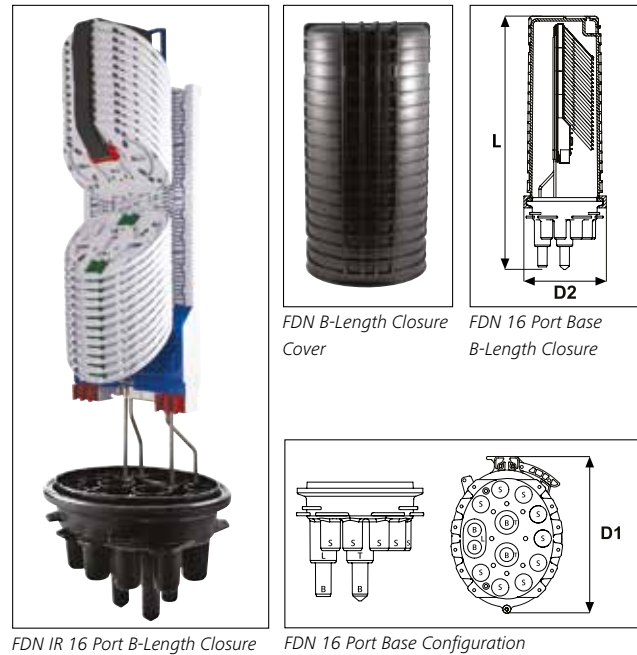
FDN IR

FDN 16 Port Integrated Routing Closure

B Length

Features and Benefits

- Maximum 576 fibre splice capacity when using SC-B tray
- 15 round ports and 1 oval port
- Moulded supports allow the cover to be removed whilst closure is left in-situ
- Fixing points for external cable management attachments
- Positive fibre management to ensure consistent 30mm bend radii throughout
- Bi-directional fibre routing
- Accommodates SC, SC-B and SE trays
- Maximum 12 splices per tray
- Splitter accommodation
- Cablelok compatible for all port sizes
- Quick release cover
- Optional pressure release valve



FDN IR 16 Port B-Length Closure

FDN 16 Port Base Configuration

Technical Description

The FDN 16 Port Integrated Routing (IR) B Length closure is supplied with a Polypropylene base. The base configuration of 15 round ports and 1 oval port covers a cable diameter range of 4.8 – 29.0mm when using Cablelok mechanical seals and 6.0 – 35.0mm when using heatshrink. The moulded supports on the base allow the cover to be removed from the closure whilst it is still in-situ. Bosses moulded in to the closure base enable fixing of external cable management attachments.

The mounting system is manufactured from Grade 304 stainless steel and the backplane is an aluminium extrusion which can accommodate up to 24 IR SE or 48 IR SC/SC-B trays or a combination of SE, SC and

SC-B trays. The position of the mounting system allows easy access for the routing of the fibre on to the trays. The trays and fibre optic routing module are white which makes it easy to see the colour of the fibre elements as they are routed through the positive fibre management system. Fibre slot retaining blocks guide fibre elements in to the IR system; the foam pad on the retainer is partially cut through to accommodate a range of fibre counts.

All IR system cover plates are coloured blue identifying them as removable parts allowing access to the fibre, the fibre slot retaining block and tray retaining clips are coloured red to aid in identification if they are dropped.

TYPE	Width D1 (mm)	Width D2 (mm)	Length L (mm)	Base Type	Tray Type	Tray Quantity	Splice Protector Type	Article-No.
FDNIR-BXXAXW	312	222	663	Cablelok, Heatshrink	IR SC	48	3A	857-00997
FDNIR-BXXAXN	312	222	663	Cablelok, Heatshrink	IR SC-B	48	3A	857-00998
FDNIR-BXXAWX	312	222	663	Cablelok, Heatshrink	IR SE	24	3A	857-00996
FDNIR-BXXAXX	312	222	663	Cablelok, Heatshrink	Not supplied	-	-	857-00999

Products listed are for standard configurations, other configurations and splice insert types are available - see Page 176

Content of Set/Kit

- FDN 16 Port IR Base
- B-Length Cover
- Quick Release Clamp
- Sealing 'O' Ring
- Fibre Optic Routing Module
- Fibre Optic Storage Unit
- Fibre Optic Storage Unit Lid
- Fibre Slot Entry Module
- Fibre Slot Retaining Block
- Reusable Cable Ties
- Tray Lid
- Tray Tool
- Anchor Fixing Kit (3)
- Spiral Binding
- Isopropyl Alcohol Wipes
- Desiccant
- Installation Guide
- Marker Kit
 - Red Marker 1 – 48
 - Green Marker 1 – 48

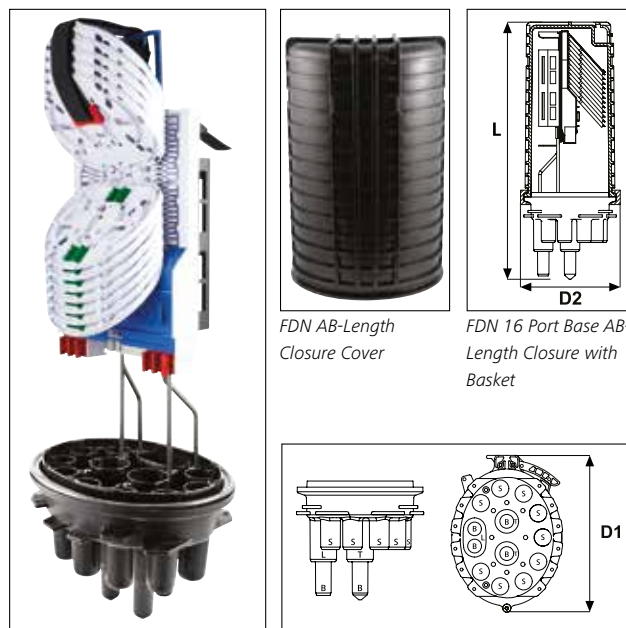


FDN 16 Port Integrated Routing Closure

AB Length with Basket

Features and Benefits

- Maximum 288 fibre splice capacity when using SC-B tray
- 15 round ports and 1 oval port
- Moulded supports allow the cover to be removed whilst closure is left in-situ
- Fixing points for external cable management attachments
- Positive fibre management to ensure consistent 30mm bend radii throughout
- Fibre storage basket for loop through applications
- Bi-directional fibre routing
- Accommodates SC, SC-B and SE trays
- Maximum 12 splices per tray
- Splitter accommodation
- Cablelok compatible for all port sizes
- Quick release cover
- Optional pressure release valve



FDN IR 16 Port AB-Length Closure FDN 16 Port Base Configuration with Basket

Technical Description

The FDN 16 Port Integrated Routing (IR) AB Length closure with basket is supplied with a Polypropylene base. The base configuration of 15 round ports and 1 oval port covers a cable diameter range of 4.8 – 29.0mm when using Cablelok mechanical seals and 6.0 – 35.0mm when using heatshrink. The moulded supports on the base allow the cover to be removed from the closure whilst it is still in-situ. Bosses moulded in to the closure base enable fixing of external cable management attachments.

The mounting system is manufactured from Grade 304 stainless steel and the backplane is an aluminium extrusion which can accommodate up to 12 IR SE or 24 IR SC/SC-B trays or a combination of SE, SC and SC-B trays. The position of the mounting system allows easy access for

the routing of the fibre on to the trays and the basket provides storage space for the storage of fibre loops. The trays and fibre optic routing module are white which makes it easy to see the colour of the fibre elements as they are routed through the positive fibre management system. Fibre slot retaining blocks guide fibre elements in to the IR system; the foam pad on the retainer is partially cut through to accommodate a range of fibre counts.

All IR system cover plates are coloured blue identifying them as removable parts allowing access to the fibre, the fibre slot retaining block and tray retaining clips are coloured red to aid in identification if they are dropped.

TYPE	Width D1 (mm)	Width D2 (mm)	Length L (mm)	Base Type	Tray Type	Tray Quantity	Splice Protector Type	Basket Size	Article-No.
FDNIR-ABBAXW	312	222	561	Cablelok, Heatshrink	IR SC	24	3A	Small	857-01001
FDNIR-ABBAXN	312	222	561	Cablelok, Heatshrink	IR SC-B	24	3A	Small	857-01002
FDNIR-ABBAXW	312	222	561	Cablelok, Heatshrink	IR SE	12	3A	Small	857-01000
FDNIR-ABBAXX	312	222	561	Cablelok, Heatshrink	Not supplied	-	-	Small	857-01003

Products listed are for standard configurations, other configurations and splice insert types are available - see Page 176

Content of Set/Kit

- FDN 16 Port IR Base
- AB-Length Cover
- Quick Release Clamp
- Sealing 'O' Ring
- Fibre Storage Basket
- Fibre Routing Module
- Fibre Optic Storage Unit
- Fibre Optic Storage Unit Lid
- Fibre Slot Entry Module
- Fibre Slot Retaining Block
- Reusable Cable Ties
- Tray Lid
- Tray Tool
- Anchor Fixing Kit (3)
- Spiral Binding
- Isopropyl Alcohol Wipes
- Desiccant
- Installation Guide
- Marker Kit
 - Red Marker 1 – 25
 - Green Marker 1 – 25



FDN IR

FDN 16 Port Integrated Routing Closure

AB Length

Features and Benefits

- Maximum 288 fibre splice capacity when using SC-B tray
- 15 round ports and 1 oval port
- Moulded supports allow the cover to be removed whilst closure is left in-situ
- Fixing points for external cable management attachments
- Positive fibre management to ensure consistent 30mm bend radii throughout
- Bi-directional fibre routing
- Accommodates SC, SC-B and SE trays
- Maximum 12 splices per tray
- Splitter accommodation
- Cablelok compatible for all port sizes
- Quick release cover
- Optional pressure release valve



FDN IR 16 Port AB-Length Closure FDN 16 Port Base Configuration

Technical Description

The FDN 16 Port Integrated Routing (IR) AB Length closure is supplied with a Polypropylene base. The base configuration of 15 round ports and 1 oval port covers a cable diameter range of 4.8 – 29.0mm when using Cablelok mechanical seals and 6.0 – 35.0mm when using heatshrink. The moulded supports on the base allow the cover to be removed from the closure whilst it is still in-situ. Bosses moulded in to the closure base enable fixing of external cable management attachments.

The mounting system is manufactured from Grade 304 stainless steel and the backplane is an aluminium extrusion which can accommodate up to 12 IR SE or 24 IR SC/SC-B trays or a combination of SE, SC and

SC-B trays. The position of the mounting system allows easy access for the routing of the fibre on to the trays. The trays and fibre optic routing module are white which makes it easy to see the colour of the fibre elements as they are routed through the positive fibre management system. Fibre slot retaining blocks guide fibre elements in to the IR system; the foam pad on the retainer is partially cut through to accommodate a range of fibre counts.

All IR system cover plates are coloured blue identifying them as removable parts allowing access to the fibre, the fibre slot retaining block and tray retaining clips are coloured red to aid in identification if they are dropped.

TYPE	Width D1 (mm)	Width D2 (mm)	Length L (mm)	Base Type	Tray Type	Tray Quantity	Splice Protector Type	Article-No.
FDNIR-ABXAXW	312	222	561	Cablelok, Heatshrink	IR SC	24	3A	857-01005
FDNIR-ABXAXN	312	222	561	Cablelok, Heatshrink	IR SC-B	24	3A	857-01006
FDNIR-ABXAWX	312	222	561	Cablelok, Heatshrink	IR SE	12	3A	857-01004
FDNIR-ABXAXX	312	222	561	Cablelok, Heatshrink	Not supplied	-	-	857-01007

Products listed are for standard configurations, other configurations and splice insert types are available - see Page 176

Content of Set/Kit

- FDN 16 Port IR Base
- AB-Length Cover
- Quick Release Clamp
- Sealing 'O' Ring
- Fibre Optic Routing Module
- Fibre Optic Storage Unit
- Fibre Optic Storage Unit Lid
- Fibre Slot Entry Module
- Fibre Slot Retaining Block
- Reusable Cable Ties
- Tray Lid
- Tray Tool
- Anchor Fixing Kit (3)
- Spiral Binding
- Isopropyl Alcohol Wipes
- Desiccant
- Installation Guide
- Marker Kit
 - Red Marker 1 – 25
 - Green Marker 1 – 25

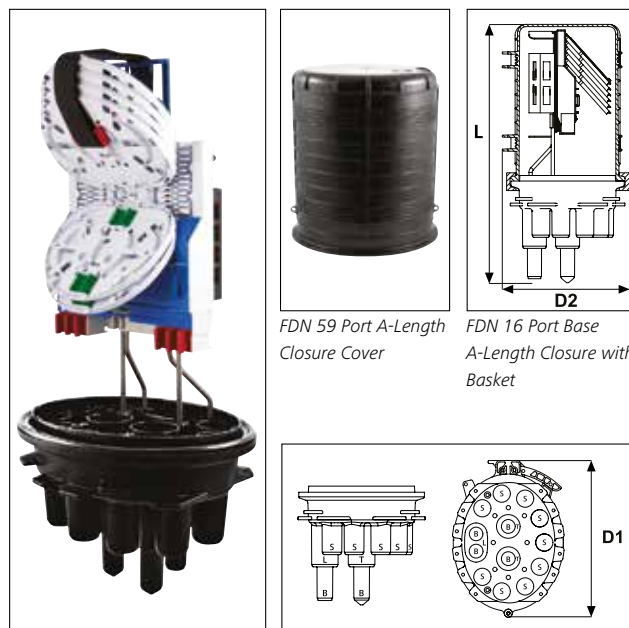


FDN 16 Port Integrated Routing Closure

A Length with Basket

Features and Benefits

- Maximum 144 fibre splice capacity when using SC-B tray
- 15 round ports and 1 oval port
- Moulded supports allow the cover to be removed whilst closure is left in-situ
- Fixing points for external cable management attachments
- Positive fibre management to ensure consistent 30mm bend radii throughout
- Fibre storage basket for loop through applications
- Bi-directional fibre routing
- Accommodates SC, SC-B and SE trays
- Maximum 12 splices per tray
- Splitter accommodation
- Cablelok compatible for all port sizes
- Quick release cover
- Optional pressure release valve



FDN IR 16 Port A-Length Closure with Basket

FDN 59 Port A-Length Closure Cover

FDN 16 Port Base A-Length Closure with Basket

FDN 16 Port Base Configuration

Technical Description

The FDN 16 Port Integrated Routing (IR) A Length closure with basket is supplied with a Polypropylene base. The base configuration of 15 round ports and 1 oval port covers a cable diameter range of 4.8 – 29.0mm when using Cablelok mechanical seals and 6.0 – 35.0mm when using heatshrink. The moulded supports on the base allow the cover to be removed from the closure whilst it is still in-situ. Bosses moulded in to the closure base enable fixing of external cable management attachments.

The mounting system is manufactured from Grade 304 stainless steel and the backplane is an aluminium extrusion which can accommodate up to 6 IR SE or 12 IR SC/SC-B trays or a combination of SE, SC and SC-B trays. The position of the mounting system allows easy access for

the routing of the fibre on to the trays and the basket provides storage space for the storage of fibre loops. The trays and fibre optic routing module are white which makes it easy to see the colour of the fibre elements as they are routed through the positive fibre management system. Fibre slot retaining blocks guide fibre elements in to the IR system; the foam pad on the retainer is partially cut through to accommodate a range of fibre counts.

All IR system cover plates are coloured blue identifying them as removable parts allowing access to the fibre, the fibre slot retaining block and tray retaining clips are coloured red to aid in identification if they are dropped.

TYPE	Width D1 (mm)	Width D2 (mm)	Length L (mm)	Base Type	Tray Type	Tray Quantity	Splice Protector Type	Basket Size	Article-No.
FDNIR-AXBAXW	312	222	455	Cablelok, Heatshrink	IR SC	12	3A	Small	857-01009
FDNIR-AXBAXN	312	222	455	Cablelok, Heatshrink	IR SC-B	12	3A	Small	857-01010
FDNIR-AXBAWX	312	222	455	Cablelok, Heatshrink	IR SE	6	3A	Small	857-01008
FDNIR-AXBAXX	312	222	455	Cablelok, Heatshrink	Not supplied	-	-	Small	857-01011

Products listed are for standard configurations, other configurations and splice insert types are available - see Page 176

Content of Set/Kit

- | | | | |
|------------------------------|--------------------------------|---------------------------|-----------------------|
| • FDN 16 Port IR Base | • Fibre Optic Storage Unit | • Tray Tool | • Marker Kit |
| • AB-Length Cover | • Fibre Optic Storage Unit Lid | • Anchor Fixing Kit (3) | - Red Marker 1 – 12 |
| • Quick Release Clamp | • Fibre Slot Entry Module | • Spiral Binding | - Green Marker 1 – 12 |
| • Sealing 'O' Ring | • Fibre Slot Retaining Block | • Isopropyl Alcohol Wipes | |
| • Fibre Storage Basket | • Reusable Cable Ties | • Desiccant | |
| • Fibre Optic Routing Module | • Tray Lid | • Installation Guide | |



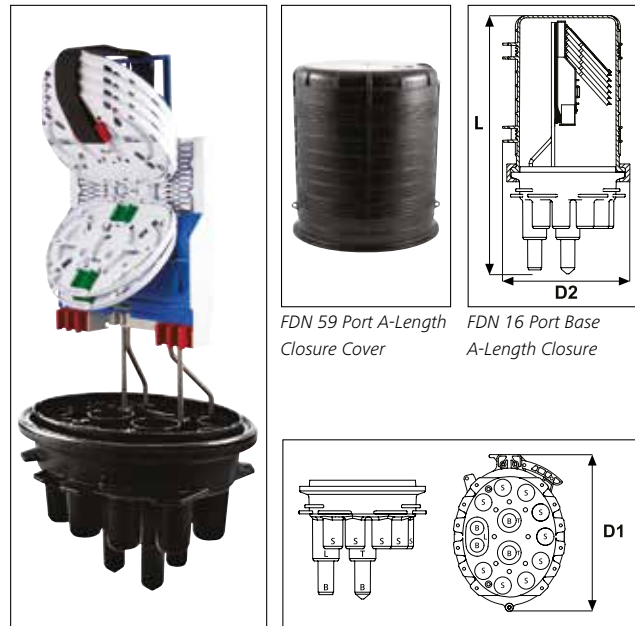
FDN IR

FDN 16 Port Integrated Routing Closure

A Length

Features and Benefits

- Maximum 144 fibre splice capacity when using SC-B tray
- 15 round ports and 1 oval port
- Moulded supports allow the cover to be removed whilst closure is left in-situ
- Fixing points for external cable management attachments
- Positive fibre management to ensure consistent 30mm bend radii throughout
- Bi-directional fibre routing
- Accommodates SC, SC-B and SE trays
- Maximum 12 splices per tray
- Splitter accommodation
- Cablelok compatible for all port sizes
- Quick release cover
- Optional pressure release valve



FDN IR 16 Port A-Length Closure

FDN 16 Port Base Configuration

Technical Description

The FDN 16 Port Integrated Routing (IR) A Length closure is supplied with a Polypropylene base. The base configuration of 15 round ports and 1 oval port covers a cable diameter range of 4.8 – 29.0mm when using Cablelok mechanical seals and 6.0 – 35.0mm when using heatshrink. The moulded supports on the base allow the cover to be removed from the closure whilst it is still in-situ. Bosses moulded in to the closure base enable fixing of external cable management attachments.

The mounting system is manufactured from Grade 304 stainless steel and the backplane is an aluminium extrusion which can accommodate up to 6 IR SE or 12 IR SC/SC-B trays or a combination of SE, SC and SC-B

trays. The position of the mounting system allows easy access for the routing of the fibre on to the trays. The trays and fibre optic routing module are white which makes it easy to see the colour of the fibre elements as they are routed through the positive fibre management system. Fibre slot retaining blocks guide fibre elements in to the IR system; the foam pad on the retainer is partially cut through to accommodate a range of fibre counts.

All IR system cover plates are coloured blue identifying them as removable parts allowing access to the fibre, the fibre slot retaining block and tray retaining clips are coloured red to aid in identification if they are dropped.

TYPE	Width D1 (mm)	Width D2 (mm)	Length L (mm)	Base Type	Tray Type	Tray Quantity	Splice Protector Type	Article-No.
FDNIR-AXXAXW	312	222	455	Cablelok, Heatshrink	IR SC	12	3A	857-01013
FDNIR-AXXAXN	312	222	455	Cablelok, Heatshrink	IR SC-B	12	3A	857-01014
FDNIR-AXXAWX	312	222	455	Cablelok, Heatshrink	IR SE	6	3A	857-01012
FDNIR-AXXAXX	312	222	455	Cablelok, Heatshrink	Not supplied	-	-	857-01015

Products listed are for standard configurations, other configurations and splice insert types are available - see Page 176

Content of Set/Kit

- | | | | |
|------------------------------|--------------------------------|---------------------------|-----------------------|
| • FDN 16 Port IR Base | • Fibre Optic Storage Unit Lid | • Anchor Fixing Kit (3) | • Marker Kit |
| • AB-Length Cover | • Fibre Slot Entry Module | • Spiral Binding | - Red Marker 1 – 12 |
| • Quick Release Clamp | • Fibre Slot Retaining Block | • Isopropyl Alcohol Wipes | - Green Marker 1 – 12 |
| • Sealing 'O' Ring | • Reusable Cable Ties | • Desiccant | |
| • Fibre Optic Routing Module | • Tray Lid | • Installation Guide | |
| • Fibre Optic Storage Unit | • Tray Tool | | |

2.2 FDN Tubed Closures

Introduction

The FDN from HellermannTyton is medium sized oval fibre optic splice closure. With two different base types, the FDN offers multiple uses in different applications. The 16 port FDN, with its larger ports, can be used in FTTH and trunk applications, whereas the 59 port FDN closure, with its high drop port count is particularly suited for use in FTTH access networks.

The oval shape of the FDN closure allows it to be installed in areas where space is restricted.

The standard Tubed FDN closure from HellermannTyton is available in 4 different lengths, with a number of splice tray options. The tubed FDN closure can also be supplied with fibre storage baskets.

The tubed solution routes fibres from the entry point of the closure in transportation tubing directly onto the splice trays. The transportation tubing helps maintain bend radius whilst adding good protection to the individual fibres.

The tubed FDN offers a number of configurations and splice tray options including standard Hellipse trays and the Multi-Ribbon tray. The splice trays can accommodate a number of splice types including 3A and ANT as well as a selection of fibre optic splitters.

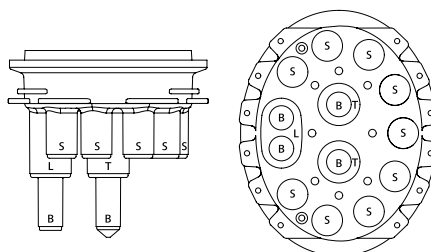
The tubed FDN closure has a maximum splice capacity of 864 fibres using either the Hellipse SMF SE-A tray with 3A splices or the Hellipse NZDF SE-A tray with ANT splices.

The closure cover is environmentally sealed with a high quality clamp and 'O' ring. The cable ports can be sealed using either Cablelok mechanical seals or heatshrink sleeves. The closure can be fitted with a flash test valve and/or grounding feed through. For flash test valve and/or grounding feed through versions please contact our sales office.

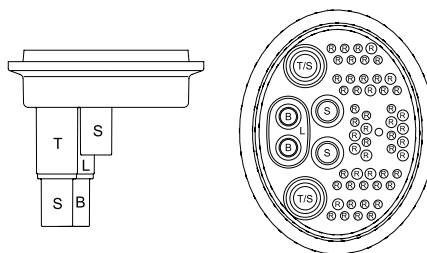


Features and Benefits

- Ideal for FTTH network applications, especially the last mile/kilometre
- 58 or 15 round ports and 1 oval port (for loop through cable)
- Suitable for blown fibre/cable applications
- Accommodates up to 36 Hellipse NZDF SE-A or Hellipse SMF SE-A trays
- Fibre loop storage basket for loop through applications
- Available in 4 different lengths
- Cablelok compatible for all port sizes
- Oval shape for use where space is limited
- Quick release cover clamp
- For use in underground, direct burial and aerial applications
- Wall mounting brackets and stainless steel wall mounting strap kits available (see Chapter 13 - Accessories)



FDN 16 Port Base Configuration



FDN 59 Port Base Configuration

Port	Number of Ports		Cable Range (mm)	
	59	16	Cablelok	Heatshrink
L	1	1	2 x 5.5 – 20.0	2 x 12.0 – 24.0
T	2	2	15.5 – 29.0	12.0 – 35.0
S	4	9	5.0 – 20.0	12.0 – 26.0
B	2	4	4.8 – 16.5	6.0 – 19.0
R	52	-	1.7 – 9.5	-

HellermannTyton closures with a tubed fibre management system are supplied in standard configurations, with fibre management and splice trays included, ready to use. The Multi-Ribbon tray closures are fitted with a ribbon fibre management guide as standard.

Port seals (Cablelok and heatshrink) and accessories (e.g. mounting brackets) must be ordered separately. HellermannTyton also offer a range of additional splice options including Crimp / ANT. For further details refer to Chapter 12.

Splice Type	Cover Reference	Closure Width (mm) D1 x D2	Closure Length (mm) L	Hellipse NZDF SE-A Tray		Hellipse SMF SE-A Tray		Multi-Ribbon Tray	
				Single Tray Quantity	Max Splice Capacity	Single Tray Quantity	Max Splice Capacity	Single Tray Quantity	Max Splice Capacity
3A	A	222 X 312	455	12(2) ‡	144	12(2)	288*	6 (2)	72
	AB		561	18(3)	216	18(3)	432*	9 (3)	108
	B		663	24(4)	288	24(4)	576*	12 (4)	144
	C		789	36(6)	432	36(6)	864*	18 (6)	216
ANT	A	222 X 312	455	12(2)	288	-	-	-	-
	AB		561	18(3)	432	-	-	-	-
	B		663	24(4)	576	-	-	-	-
	C		789	36(6)	864	-	-	-	-

Maximum splice capacity has been calculated using 3A and ANT splice inserts (excluding Multi-Ribbon tray).

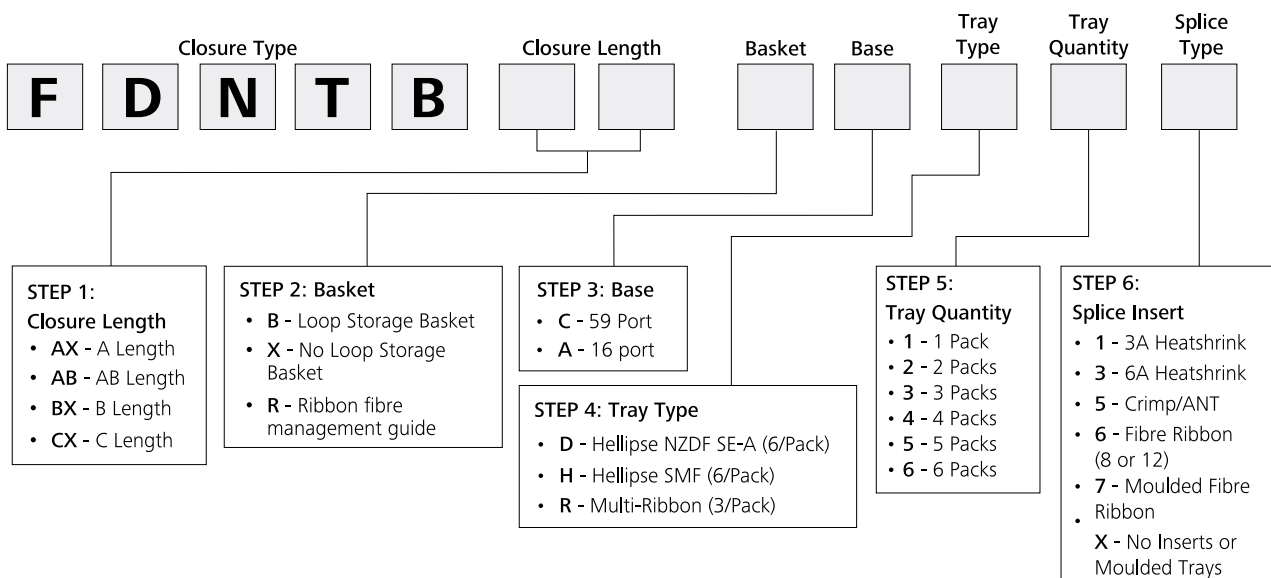
*Based on maximum splice protector length of 45mm. ‡ (tray pack ordering multiple).

Part Number Identification

Identifying the correct part number is a simple process:

- STEP 1** Choose the appropriate closure length.
- STEP 2** Decide if a loop storage basket is required. The Multi-Ribbon tray closures are fitted with a ribbon fibre management guide as standard.
- STEP 3** Decide if you require a 16 port or 59 port base.
- STEP 4** Select tray type. Hellipse NZDF SE-A - 12 x 3A splices, Hellipse SMF SE-A - 24 x 3A splices, Multi-Ribbon - 12 x 12 fibre or 8 fibre ribbon splices.
- STEP 5** Select tray quantity. Closures shown in the catalogue are supplied with the maximum number of trays chosen for the closure length. If the standard configuration is not suitable, closures can be ordered with a reduced quantity of trays.
- STEP 6** Select splice insert type.

For additional information on tray types, splice protectors and splice capacity please refer to Chapter 12.



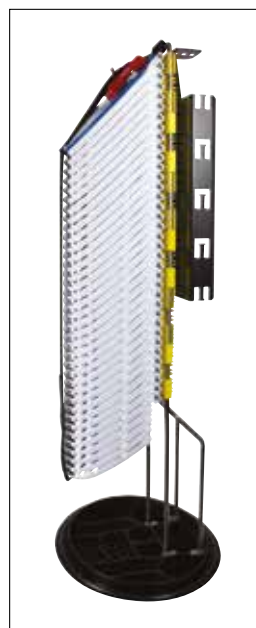


FDN 59 Port Tubed Closure

C Length with Basket

Features and Benefits

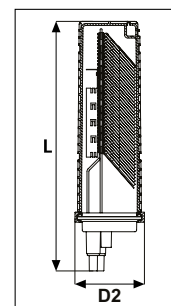
- Maximum 864 fibre splice capacity when using SMF SE-A trays
- 58 round ports and 1 oval port
- Fibre storage basket for loop through applications
- Accommodates Hellipse NZDF SE-A and SMF SE-A trays
- Maximum 24 splices per tray without double stacking (SMF SE-A trays)
- Splitter accommodation
- Cablelok compatible for all port sizes
- Quick release cover
- Optional flash test valve and/or grounding feed-through



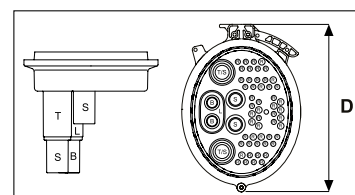
FDN 59 Port C-Length Closure with Basket



FDN C-Length Closure Cover



FDN 59 Port C-Length Closure with Basket



FDN 59 Port Base Port Configuration

Technical Description

The FDN 59 Port C Length closure with basket is supplied with a Polypropylene base. The base configuration of 58 round ports and 1 oval port covers a cable diameter range of 1.7 – 29.0mm when using Cablelok mechanical seals and 6.0 – 35.0mm when using heatshrink.

The mounting system is manufactured from Grade 304 stainless steel and can accommodate up to 36 Hellipse NZDF SE-A or SMF SE-A trays giving a maximum of 864 fibre splices based on 24 fibres per tray (when

using Hellipse SMF SE-A trays).

The tubed closure and the position of the mounting system allows for ease of access and traceability of the fibre on to the trays and the basket provides storage space for the storage of fibre loops. The trays are white which makes it easy to see the colour of the fibre elements as they are routed through the fibre management system.

TYPE	Width D1 (mm)	Width D2 (mm)	Length L (mm)	Base Type	Tray Type	Tray Quantity	Splice Protector Type	Basket Size	Article-No.
FDNTB-CXBCD61	312	222	789	Cablelok, Heatshrink	Hellipse NZDF SE-A	36	3A	Large	857-00663
FDNTB-CXBCH6X	312	222	789	Cablelok, Heatshrink	Hellipse SMF SE-A	36	3A	Large	857-00667
FDNTB-CXBCXXX	312	222	789	Cablelok, Heatshrink	Not supplied	-	-	Large	857-00659

Products listed are for standard configurations, other configurations and splice insert types are available - see Page 176

Content of Set/Kit

- FDN 59 Port Base
- C-Length Cover (Dome)
- Quick Release Clamp
- Sealing 'O' Ring
- Fibre Storage Basket
- Tray Support Frame
- Anchor Fixing Kit (3)
- Tray Tool
- Hook and Loop Tray Securing Straps
- Transportation Tubing
- Tubefix – Tube to Tray
- Securing Blocks
- Hook and Loop Management Ties
- Isopropyl Alcohol Wipes
- Desiccant
- Installation Guide
- Marker Kit
 - Red Marker 1 – 48
 - Green Marker 1 – 48



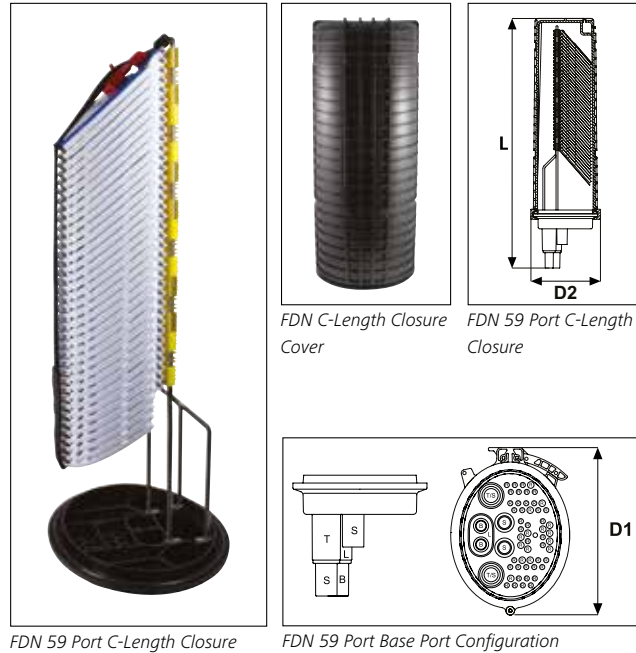
FDN Tubed

FDN 59 Port Tubed Closure

C Length

Features and Benefits

- Maximum 864 fibre splice capacity when using SMF SE-A trays
- 58 round ports and 1 oval port
- Accommodates Hellipse NZDF SE-A and SMF SE-A trays
- Maximum 24 splices per tray without double stacking (SMF SE-A trays)
- Splitter accommodation
- Cablelok compatible for all port sizes
- Quick release cover
- Optional flash test valve and/or grounding feed-through



FDN 59 Port C-Length Closure

FDN C-Length Closure Cover

FDN 59 Port C-Length Closure

FDN 59 Port Base Port Configuration

Technical Description

The FDN 59 Port C Length closure is supplied with a Polypropylene base. The base configuration of 58 round ports and 1 oval port covers a cable diameter range of 1.7 – 29.0mm when using Cablelok mechanical seals and 6.0 – 35.0mm when using heatshrink.

The mounting system is manufactured from Grade 304 stainless steel and can accommodate up to 36 Hellipse NZDF SE-A or SMF SE-A trays

giving a maximum of 864 fibre splices based on 24 fibres per tray (when using Hellipse SMF SE-A trays).

The tubed closure and the position of the mounting system allows for ease of access and traceability of the fibre on to the trays. The trays are white which makes it easy to see the colour of the fibre elements as they are routed through the fibre management system.

TYPE	Width D1 (mm)	Width D2 (mm)	Length L (mm)	Base Type	Tray Type	Tray Quantity	Splice Protector Type	Article-No.
FDNTB-CXXCD61	312	222	789	Cablelok, Heatshrink	Hellipse NZDF SE-A	36	3A	857-00662
FDNTB-CXXCH6X	312	222	789	Cablelok, Heatshrink	Hellipse SMF SE-A	36	3A	857-00666
FDNTB-CXXCXXX	312	222	789	Cablelok, Heatshrink	Not supplied	-	-	857-00658

Products listed are for standard configurations, other configurations and splice insert types are available - see Page 176

Content of Set/Kit

- FDN 59 Port Base
- C-Length Cover (Dome)
- Quick Release Clamp
- Sealing 'O' Ring
- Tray Support Frame
- Anchor Fixing Kit (3)
- Tray Tool
- Hook and Loop Tray Securing Strap
- Transportation Tubing
- Tubefix – Tube to Tray Securing Blocks
- Hook and Loop Management Ties
- Isopropyl Alcohol Wipes
- Desiccant
- Installation Guide
- Marker Kit
 - Red Marker 1 – 48
 - Green Marker 1 – 48



FDN 59 Port Tubed Closure

C Length with Multi-Ribbon Tray with Basket

Features and Benefits

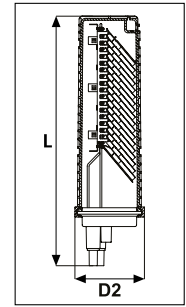
- Maximum 216 (8 or 12 fibre) ribbon cable splice capacity
- 58 round ports and 1 oval port
- 18 x Multi-Ribbon trays
- Maximum of 12 (8 or 12 fibre) ribbon cable splices per tray
- Fibre storage basket for loop through applications supplied as standard
- Cablelok compatible for all port sizes
- Quick release cover
- Optional flash test valve and/or grounding feed-through



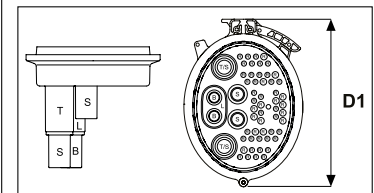
FDN 59 Port C-Length Ribbon Closure



FDN B-Length Closure Cover



FDN 59 Port C-Length Ribbon Closure



FDN 59 Port Base Port Configuration

Technical Description

The FDN C length single stack closure is supplied with a Polypropylene base. The base configuration of 58 round ports and 1 oval port covers a cable diameter range of 1.7 – 29.0mm when using Cablelok mechanical seals and 6.0 – 35.0mm when using heatshrink.

The mounting system is manufactured from Grade 304 stainless steel and can accommodate up to 18 Multi-Ribbon cable trays giving a maximum splice capacity of 216 (8 or 12 fibre) ribbon cables based on 12 ribbon cable splices per tray.

The tubed closure and position of the mounting system allows for ease of access and traceability of the fibre on to the trays. The trays are

white with a clear cover which makes it easy to see the colour of the fibre elements as they are routed through the fibre management system and on to the trays.

The Multi-Ribbon tray can also accommodate 3A splices when used with the appropriate tubefix connectors and transport tubing (See Chapter 13 – Accessories).

TYPE	Width D1 (mm)	Width D2 (mm)	Length L (mm)	Base Type	Tray Type	Tray Quantity	Splice Protector Type	Basket Size	Article-No.
FDNTB-CXR67	312	222	789	Cablelok, Heatshrink	Multi-Ribbon	18	12 Fibre Ribbon, 8 Fibre Ribbon	Large	857-00977

Products listed are for standard configurations, other configurations and splice insert types are available - see Page 176

Content of Set/Kit

- FDN 59 Port Base
- C-Length Cover (Dome)
- Quick Release Clamp
- Sealing 'O' Ring
- Fibre Storage Basket
- Tray Support Frame
- Anchor Fixing Kit (3)
- Tray Tool
- Hook and Loop Securing Straps
- Isopropyl Alcohol Wipes
- Desiccant
- Installation Guide

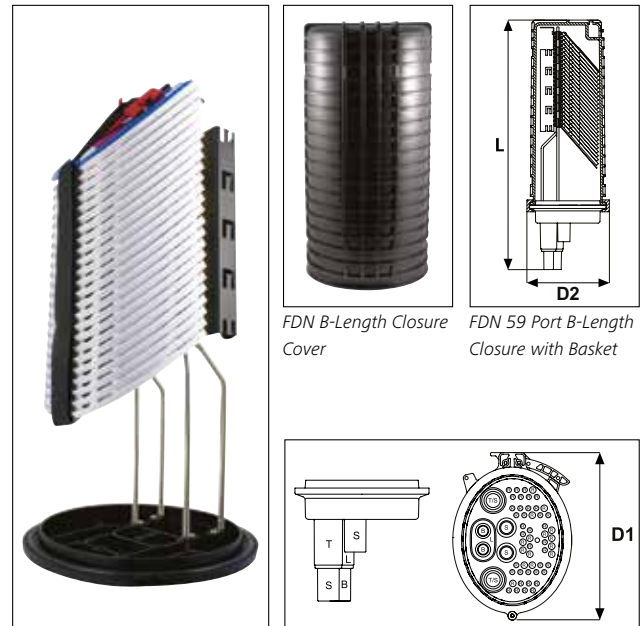


FDN 59 Port Tubed Closure

B Length with Basket

Features and Benefits

- Maximum 576 fibre splice capacity when using SMF SE-A trays
- 58 round ports and 1 oval port
- Fibre storage basket for loop through applications
- Accommodates Hellipse NZDF SE-A and SMF SE-A trays
- Maximum 24 splices per tray without double stacking (SMF SE-A trays)
- Splitter accommodation
- Cablelok compatible for all port sizes
- Quick release cover
- Optional flash test valve and/or grounding feed-through



FDN 59 Port B-Length Closure with Basket

FDN B-Length Closure Cover

FDN 59 Port B-Length Closure with Basket

FDN 59 Port Base Port Configuration

Technical Description

The FDN 59 Port B Length closure with basket is supplied with a Polypropylene base. The base configuration of 58 round ports and 1 oval port covers a cable diameter range of 1.7 – 29.0mm when using Cablelok mechanical seals and 6.0 – 35.0mm when using heatshrink.

The mounting system is manufactured from Grade 304 stainless steel and can accommodate up to 24 Hellipse NZDF SE-A or SMF SE-A trays giving a maximum of 576 fibre splices based on 24 fibres per tray (when

using Hellipse SMF SE-A trays).

The tubed closure and the position of the mounting system allows for ease of access and traceability of the fibre on to the trays and the basket provides storage space for the storage of fibre loops. The trays are white which makes it easy to see the colour of the fibre elements as they are routed through the fibre management system.

TYPE	Width D1 (mm)	Width D2 (mm)	Length L (mm)	Base Type	Tray Type	Tray Quantity	Splice Protector Type	Basket Size	Article-No.
FDNTB-BXBCD41	312	222	663	Cablelok, Heatshrink	Hellipse NZDF SE-A	24	3A	Large	857-00655
FDNTB-BXBCH4X	312	222	663	Cablelok, Heatshrink	Hellipse SMF SE-A	24	3A	Large	857-00657
FDNTB-BXBCXXX	312	222	663	Cablelok, Heatshrink	Not supplied	-	-	Large	856-00653

Products listed are for standard configurations, other configurations and splice insert types are available - see Page 176

Content of Set/Kit

- FDN 59 Port Base
- B-Length Cover (Dome)
- Quick Release Clamp
- Sealing 'O' Ring
- Fibre Storage Basket
- Tray Support Frame
- Anchor Fixing Kit (3)
- Tray Tool
- Hook and Loop Tray Securing Straps
- Transportation Tubing
- Tubefix – Tube to Tray
- Securing Blocks
- Hook and Loop Management Ties
- Isopropyl Alcohol Wipes
- Desiccant
- Installation Guide
- Marker Kit
 - Red Marker 1 – 25
 - Green Marker 1 – 25



FDN 59 Port Tubed Closure

B Length

Features and Benefits

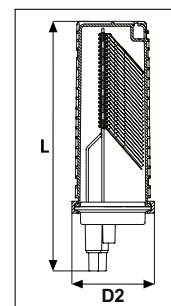
- Maximum 576 fibre splice capacity when using SMF SE-A trays
- 58 round ports and 1 oval port
- Accommodates Hellipse NZDF SE-A and SMF SE-A trays
- Maximum 24 splices per tray without double stacking (SMF SE-A trays)
- Splitter accommodation
- Cablelok compatible for all port sizes
- Quick release cover
- Optional flash test valve and/or grounding feed-through



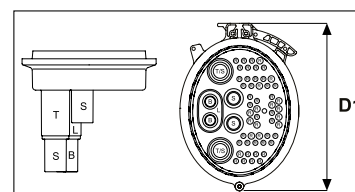
FDN 59 Port B-Length Closure



FDN B-Length Closure Cover



FDN 59 Port B-Length Closure



FDN 59 Port Base Port Configuration

Technical Description

The FDN 59 Port B Length closure is supplied with a Polypropylene base. The base configuration of 58 round ports and 1 oval port covers a cable diameter range of 1.7 – 29.0mm when using Cablelok mechanical seals and 6.0 – 35.0mm when using heatshrink.

The mounting system is manufactured from Grade 304 stainless steel and can accommodate up to 24 Hellipse NZDF SE-A or SMF SE-A trays

giving a maximum of 576 fibre splices based on 24 fibres per tray (when using Hellipse SMF SE-A trays).

The tubed closure and the position of the mounting system allows for ease of access and traceability of the fibre on to the trays. The trays are white which makes it easy to see the colour of the fibre elements as they are routed through the fibre management system.

TYPE	Width D1 (mm)	Width D2 (mm)	Length L (mm)	Base Type	Tray Type	Tray Quantity	Splice Protector Type	Article-No.
FDNTB-BXXCD41	312	222	663	Cablelok, Heatshrink	Hellipse NZDF SE-A	24	3A	857-00654
FDNTB-BXXCH4X	312	222	663	Cablelok, Heatshrink	Hellipse SMF SE-A	24	3A	857-00656
FDNTB-BXXCXXX	312	222	663	Cablelok, Heatshrink	Not supplied	-	-	857-00652

Products listed are for standard configurations, other configurations and splice insert types are available - see Page 176

Content of Set/Kit

- FDN 59 Port Base
- B-Length Cover (Dome)
- Quick Release Clamp
- Sealing 'O' Ring
- Tray Support Frame
- Anchor Fixing Kit (3)
- Tray Tool
- Hook and Loop Tray Securing Straps
- Transportation Tubing
- Tubefix – Tube to Tray Securing Blocks
- Hook and Loop Management Ties
- Isopropyl Alcohol Wipes
- Desiccant
- Installation Guide
- Marker Kit
 - Red Marker 1 – 25
 - Green Marker 1 – 25



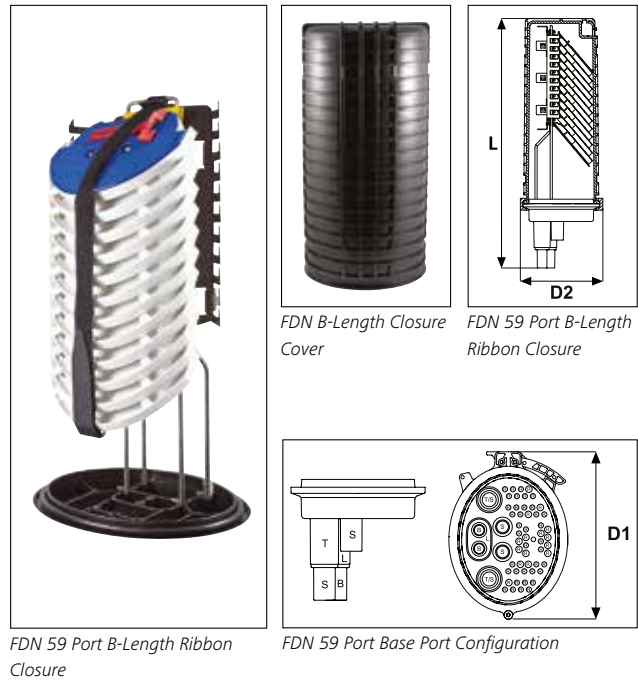
FDN Tubed

FDN 59 Port Tubed Closure

B Length with Multi-Ribbon Tray with Basket

Features and Benefits

- Maximum 144 (8 or 12 fibre) ribbon cable splice capacity
- 58 round ports and 1 oval port
- 12 x Multi-Ribbon trays
- Maximum of 12 (8 or 12 fibre) ribbon cable splices per tray
- Fibre storage basket for loop through applications supplied as standard
- Cablelok compatible for all port sizes
- Quick release cover
- Optional flash test valve and/or grounding feed-through



FDN 59 Port B-Length Ribbon Closure

FDN B-Length Closure Cover

FDN 59 Port B-Length Ribbon Closure

FDN 59 Port Base Port Configuration

Technical Description

The FDN 59 Port B length closure is supplied with a Polypropylene base. The base configuration of 58 round ports and 1 oval port covers a cable diameter range of 1.7 – 29.0mm when using Cablelok mechanical seals and 6.0 – 35.0mm when using heatshrink.

The mounting system is manufactured from Grade 304 stainless steel and can accommodate up to 12 Multi-Ribbon cable trays giving a maximum splice capacity of 144 (8 or 12 fibre) ribbon cable splices based on 12 ribbon cable splices per tray.

The tubed closure and position of the mounting system allows for ease of access and traceability of the fibre on to the trays. The trays are

white with a clear cover which makes it easy to see the colour of the fibre elements as they are routed through the fibre management system and on to the trays.

The Multi-Ribbon tray can also accommodate 3A splices when used with the appropriate tubefix connectors and transport tubing (See Chapter 13 – Accessories).

TYPE	Width D1 (mm)	Width D2 (mm)	Length L (mm)	Base Type	Tray Type	Tray Quantity	Splice Protector Type	Basket Size	Article-No.
FDNTB-BXR47	312	222	663	Cablelok, Heatshrink	Multi-Ribbon	12	12 Fibre Ribbon, 8 Fibre Ribbon	Medium	857-00976

Products listed are for standard configurations, other configurations and splice insert types are available - see Page 176

Content of Set/Kit

- FDN 59 Port Base
- B-Length Cover (Dome)
- Quick Release Clamp
- Sealing 'O' Ring
- Fibre Storage Basket
- Tray Support Frame
- Anchor Fixing Kit (3)
- Tray Tool
- Hook and Loop Securing Straps
- Isopropyl Alcohol Wipes
- Desiccant
- Installation Guide

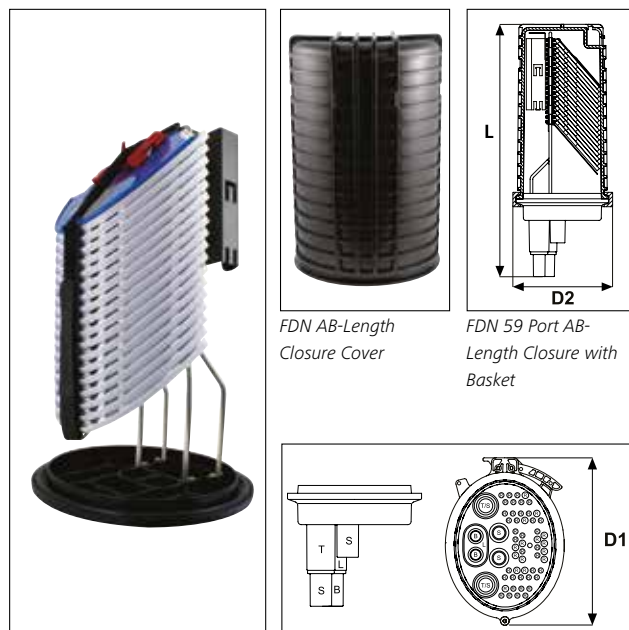


FDN 59 Port Tubed Closure

AB Length with Basket

Features and Benefits

- Maximum 432 fibre splice capacity when using SMF SE-A trays
- 58 round ports and 1 oval port
- Fibre storage basket for loop through applications
- Accommodates Hellipse NZDF SE-A and SMF SE-A trays
- Maximum 24 splices per tray without double stacking (SMF SE-A trays)
- Splitter accommodation
- Cablelok compatible for all port sizes
- Quick release cover
- Optional flash test valve and/or grounding feed-through



FDN 59 Port AB-Length Closure with Basket

FDN 59 Port Base Port Configuration

Technical Description

The FDN 59 Port AB Length closure is supplied with a Polypropylene base. The base configuration of 58 round ports and 1 oval port covers a cable diameter range of 1.7 – 29.0mm when using Cablelok mechanical seals and 6.0 – 35.0mm when using heatshrink.

The mounting system is manufactured from Grade 304 stainless steel and can accommodate up to 36 Hellipse NZDF SE-A or SMF SE-A trays giving a maximum of 432 fibre splices based on 24 fibres per tray (when

using Hellipse SMF SE-A trays).

The tubed closure and the position of the mounting system allows for ease of access and traceability of the fibre on to the trays and the basket provides storage space for the storage of fibre loops. The trays are white which makes it easy to see the colour of the fibre elements as they are routed through the fibre management system.

TYPE	Width D1 (mm)	Width D2 (mm)	Length L (mm)	Base Type	Tray Type	Tray Quantity	Splice Protector Type	Basket Size	Article-No.
FDNTB-ABBCD31	312	222	561	Cablelok, Heatshrink	Hellipse NZDF SE-A	18	3A	Small	857-00649
FDNTB-ABBCH3X	312	222	561	Cablelok, Heatshrink	Hellipse SMF SE-A	18	3A	Small	857-00651
FDNTB-ABBCXXX	312	222	561	Cablelok, Heatshrink	Not supplied	-	-	Small	857-00647

Products listed are for standard configurations, other configurations and splice insert types are available - see Page 176

Content of Set/Kit

- FDN 59 Port Base
- AB-Length Cover (Dome)
- Quick Release Clamp
- Sealing 'O' Ring
- Fibre Storage Basket
- Tray Support Frame
- Anchor Fixing Kit (3)
- Tray Tool
- Hook and Loop Tray Securing Strap
- Transportation Tubing
- Tubefix – Tube to Tray
- Securing Blocks
- Hook and Loop Management Ties
- Isopropyl Alcohol Wipes
- Desiccant
- Installation Guide
- Marker Kit
 - Red Marker 1 – 25
 - Green Marker 1 – 25



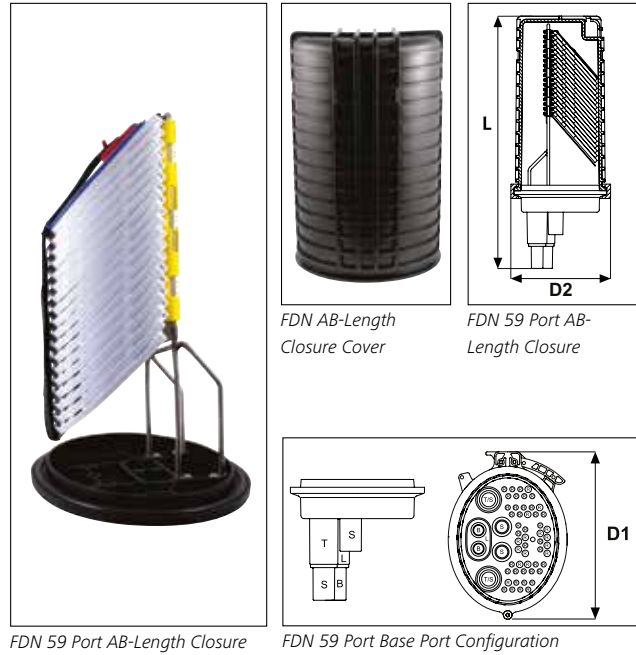
FDN Tubed

FDN 59 Port Tubed Closure

AB Length

Features and Benefits

- Maximum 432 fibre splice capacity when using SMF SE-A trays
- 58 round ports and 1 oval port
- Accommodates Hellipse NZDF SE-A and SMF SE-A trays
- Maximum 24 splices per tray without double stacking (SMF SE-A trays)
- Splitter accommodation
- Cablelok compatible for all port sizes
- Quick release cover
- Optional flash test valve and/or grounding feed-through



FDN 59 Port AB-Length Closure

FDN 59 Port Base Port Configuration

Technical Description

The FDN 59 Port AB Length closure is supplied with a Polypropylene base. The base configuration of 58 round ports and 1 oval port covers a cable diameter range of 1.7 – 29.0mm when using Cablelok mechanical seals and 6.0 – 35.0mm when using heatshrink.

The mounting system is manufactured from Grade 304 stainless steel and can accommodate up to 36 Hellipse NZDF SE-A or SMF SE-A trays

giving a maximum of 432 fibre splices based on 24 fibres per tray when using Hellipse SMF SE-A trays).

The tubed closure and the position of the mounting system allows for ease of access and traceability of the fibre on to the trays. The trays are white which makes it easy to see the colour of the fibre elements as they are routed through the fibre management system.

TYPE	Width D1 (mm)	Width D2 (mm)	Length L (mm)	Base Type	Tray Type	Tray Quantity	Splice Protector Type	Article-No.
FDNTB-ABXCD31	312	222	561	Cablelok, Heatshrink	Hellipse NZDF SE-A	18	3A	857-00648
FDNTB-ABXCH3X	312	222	561	Cablelok, Heatshrink	Hellipse SMF SE-A	18	3A	857-00650
FDNTB-ABXCXXX	312	222	561	Cablelok, Heatshrink	Not supplied	-	-	857-00646

Products listed are for standard configurations, other configurations and splice insert types are available - see Page 176

Content of Set/Kit

- FDN 59 Port Base
- AB-Length Cover (Dome)
- Quick Release Clamp
- Sealing 'O' Ring
- Tray Support Frame
- Anchor Fixing Kit (3)
- Tray Tool
- Hook and Loop Tray Securing Straps
- Transportation Tubing
- Tubefix – Tube to Tray Securing Blocks
- Hook and Loop Management Ties
- Isopropyl Alcohol Wipes
- Desiccant
- Installation Guide
- Marker Kit
 - Red Marker 1 – 25
 - Green Marker 1 – 25

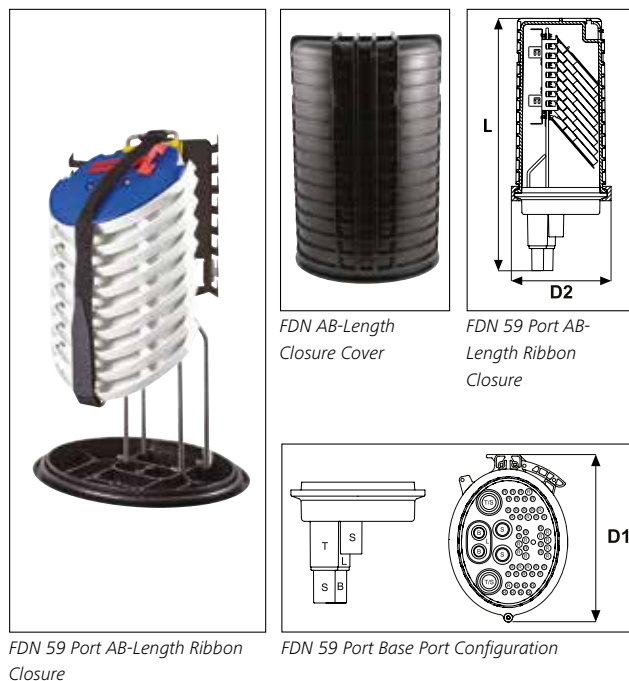


FDN 59 Port Tubed Closure

AB Length with Multi-Ribbon Tray with Basket

Features and Benefits

- Maximum 108 (8 or 12) ribbon cable splice capacity
- 58 round ports and 1 oval port
- 9 x Multi-Ribbon trays
- Maximum of 12 (8 or 12) ribbon cable splices per tray
- Fibre storage basket for loop through applications supplied as standard
- Cablelok compatible for all port sizes
- Quick release cover
- Optional flash test valve and/or grounding feed-through



FDN 59 Port AB-Length Ribbon Closure

FDN AB-Length Closure Cover

FDN 59 Port AB-Length Ribbon Closure

FDN 59 Port Base Port Configuration

Technical Description

The FDN 59 Port AB length closure is supplied with a Polypropylene base. The base configuration of 58 round ports and 1 oval port covers a cable diameter range of 1.7 – 29.0mm when using Cablelok mechanical seals and 6.0 – 35.0mm when using heatshrink.

The mounting system is manufactured from Grade 304 stainless steel and can accommodate up to 9 Multi-Ribbon cable trays giving a maximum splice capacity of 108 (8 or 12 fibre) ribbon cables based on 12 ribbon cable splices per tray.

The tubed closure and position of the mounting system allows for ease of access and traceability of the fibre on to the trays. The trays are

white with a clear cover which makes it easy to see the colour of the fibre elements as they are routed through the fibre management system and on to the trays.

The Multi-Ribbon tray can also accommodate 3A splices when used with the appropriate tubefix connectors and transport tubing (See Chapter 13 – Accessories).

TYPE	Width D1 (mm)	Width D2 (mm)	Length L (mm)	Base Type	Tray Type	Tray Quantity	Splice Protector Type	Basket Size	Article-No.
FDNTB-ABRCR37	312	222	561	Cablelok, Heatshrink	Multi-Ribbon	9	12 Fibre Ribbon, 8 Fibre Ribbon	Small	857-00975

Products listed are for standard configurations, other configurations and splice insert types are available - see Page 176

Content of Set/Kit

- FDN 59 Port Base
- AB-Length Cover (Dome)
- Quick Release Clamp
- Sealing 'O' Ring
- Fibre Storage Basket
- Tray Support Frame
- Anchor Fixing Kit (3)
- Tray Tool
- Hook and Loop Securing Straps
- Isopropyl Alcohol Wipes
- Desiccant
- Installation Guide



FDN Tubed

FDN 59 Port Tubed Closure

A Length with Basket

Features and Benefits

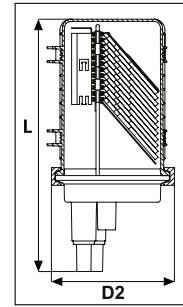
- Maximum 288 fibre splice capacity when using SMF SE-A trays
- 58 round ports and 1 oval port
- Fibre storage basket for loop through applications
- Accommodates Hellipse NZDF SE-A and SMF SE-A trays
- Maximum 24 splices per tray without double stacking (SMF SE-A trays)
- Splitter accommodation
- Cablelok compatible for all port sizes
- Quick release cover
- Optional flash test valve and/or grounding feed-through



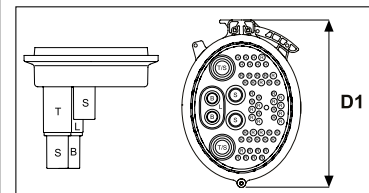
FDN 59 Port A-Length Closure with Basket



FDN 59 Port A-Length Closure Cover



FDN 59 Port A-Length Closure with Basket



FDN 59 Port Base Port Configuration

Technical Description

The FDN 59 Port A Length closure is supplied with a Polypropylene base. The base configuration of 58 round ports and 1 oval port covers a cable diameter range of 1.7 – 29.0mm when using Cablelok mechanical seals and 6.0 – 35.0mm when using heatshrink.

The mounting system is manufactured from 304 grade stainless steel and can accommodate up to 12 Hellipse NZDF SE-A or SMF SE-A trays giving a maximum of 288 fibre splices based on 24 fibres per tray (when

using Hellipse SMF SE-A trays).

The tubed closure and the position of the mounting system allows for ease of access and traceability of the fibre on to the trays and the basket provides storage space for the storage of fibre loops. The trays are white which makes it easy to see the colour of the fibre elements as they are routed through the fibre management system.

TYPE	Width D1 (mm)	Width D2 (mm)	Length L (mm)	Base Type	Tray Type	Tray Quantity	Splice Protector Type	Basket Size	Article-No.
FDNTB-AXBCD21	312	222	455	Cablelok, Heatshrink	Hellipse NZDF SE-A	12	3A	Small	857-00641
FDNTB-AXBCH2X	312	222	455	Cablelok, Heatshrink	Hellipse SMF SE-A	12	3A	Small	857-00645
FDNTB-AXBCXXX	312	222	455	Cablelok, Heatshrink	Not supplied	-	-	Small	857-00637

Products listed are for standard configurations, other configurations and splice insert types are available - see Page 176

Content of Set/Kit

- | | | | |
|--|--|--|--|
| <ul style="list-style-type: none"> • FDN 59 Port Base • A-Length Cover (Dome) • Quick Release Clamp • Sealing 'O' Ring • Fibre Storage Basket • Tray Support Frame | <ul style="list-style-type: none"> • Anchor Fixing Kit (3) • Tray Tool • Hook and Loop Tray Securing Strap • Transportation Tubing • Tubefix – Tube to Tray | <ul style="list-style-type: none"> • Securing Blocks • Hook and Loop Management Ties • Isopropyl Alcohol Wipes • Desiccant • Installation Guide | <ul style="list-style-type: none"> • Marker Kit <ul style="list-style-type: none"> - Red Marker 1 – 12 - Green Marker 1 – 12 |
|--|--|--|--|



FDN 59 Port Tubed Closure

A Length

Features and Benefits

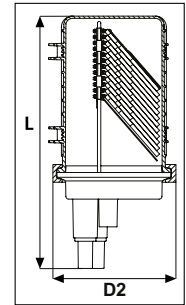
- Maximum 288 fibre splice capacity when using SMF SE-A trays
- 58 round ports and 1 oval port
- Accommodates both Hellipse NZDF SE-A and SMF SE-A trays
- Maximum 24 splices per tray without double stacking (SMF SE-A trays)
- Splitter accommodation
- Cablelok compatible for all port sizes
- Quick release cover
- Optional flash test valve and/or grounding feed-through



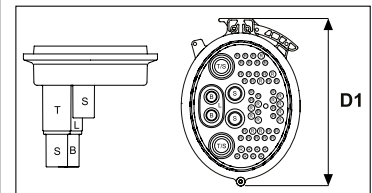
FDN 59 Port A-Length Closure



FDN 59 Port A-Length Closure Cover



FDN 59 Port A-Length Closure



FDN 59 Port Base Port Configuration

Technical Description

The FDN 59 Port A Length closure is supplied with a Polypropylene base. The base configuration of 58 round ports and 1 oval port covers a cable diameter range of 1.7 – 29.0mm when using Cablelok mechanical seals and 6.0 – 35.0mm when using heatshrink.

The mounting system is manufactured from Grade 304 stainless steel and can accommodate up to 12 Hellipse NZDF SE-A or SMF SE-A trays

giving a maximum of 288 fibre splices based on 24 fibres per tray (using Hellipse SMF SE-A trays).

The tubed closure and the position of the mounting system allows for ease of access and traceability of the fibre on to the trays. The trays are white which makes it easy to see the colour of the fibre elements as they are routed through the fibre management system.

TYPE	Width D1 (mm)	Width D2 (mm)	Length L (mm)	Base Type	Tray Type	Tray Quantity	Splice Protector Type	Article-No.
FDNTB-AXXCD21	312	222	455	Cablelok, Heatshrink	Hellipse NZDF SE-A	12	3A	857-00640
FDNTB-AXXCH2X	312	222	455	Cablelok, Heatshrink	Hellipse SMF SE-A	12	3A	857-00644
FDNTB-AXXCXXX	312	222	455	Cablelok, Heatshrink	Not supplied	-	-	857-00636

Products listed are for standard configurations, other configurations and splice insert types are available - see Page 176

Content of Set/Kit

- FDN 59 Port Base
- A-Length Cover (Dome)
- Quick Release Clamp
- Sealing 'O' Ring
- Tray Support Frame
- Anchor Fixing Kit (3)
- Tray Tool
- Hook and Loop Tray Securing Strap
- Transportation Tubing
- Tubefix – Tube to Tray Securing Blocks
- Hook and Loop Management Ties
- Isopropyl Alcohol Wipes
- Desiccant
- Installation Guide
- Marker Kit
 - Red Marker 1 – 12
 - Green Marker 1 – 12



FDN Tubed

FDN 59 Port Tubed Closure

A Length with Multi-Ribbon Tray with Basket

Features and Benefits

- Maximum 72 (8 or 12 fibre) ribbon cable splice capacity
- 58 round ports and 1 oval port
- 6 x Multi-Ribbon trays
- Maximum of 12 (8 or 12 fibre) ribbon cable splices per tray
- Fibre storage basket for loop through applications supplied as standard
- Cablelok compatible for all port sizes
- Quick release cover
- Optional flash test valve and/or grounding feed-through



FDN 59 Port A-Length Ribbon Closure

FDN 59 Port A-Length Closure Cover

FDN 59 Port A-Length Ribbon Closure

FDN 59 Port Base Port Configuration

Technical Description

The FDN 59 Port A Length single stack closure is supplied with a Polypropylene base. The base configuration of 58 round ports and 1 oval port covers a cable diameter range of 1.7 – 29.0mm when using Cablelok mechanical seals and 6.0 – 35.0mm when using heatshrink.

The mounting system is manufactured from Grade 304 stainless steel and can accommodate up to 9 Multi-Ribbon cable trays giving a maximum splice capacity of 72 (8 or 12 fibre) ribbon cables based on 12 ribbon cable splices per tray.

The tubed closure and position of the mounting system allows for ease of access and traceability of the fibre on to the trays. The trays are

white with a clear cover which makes it easy to see the colour of the fibre elements as they are routed through the fibre management system and on to the trays.

The Multi-Ribbon tray can also accommodate 3A splices when used with the appropriate tubefix connectors and transport tubing (See Chapter 13 – Accessories).

TYPE	Width D1 (mm)	Width D2 (mm)	Length L (mm)	Base Type	Tray Type	Tray Quantity	Splice Protector Type	Basket Size	Article-No.
FDNTB-AXRCR27	312	222	455	Cablelok, Heatshrink	Multi-Ribbon	6	12 Fibre Ribbon, 8 Fibre Ribbon	Small	857-00974

Products listed are for standard configurations, other configurations and splice insert types are available - see Page 176

Content of Set/Kit

- FDN 59 Port Base
- A-Length Cover (Dome)
- Quick Release Clamp
- Sealing 'O' Ring
- Fibre Storage Basket
- Tray Support Frame
- Anchor Fixing Kit (3)
- Tray Tool
- Hook and Loop Securing Straps
- Isopropyl Alcohol Wipes
- Desiccant
- Installation Guide

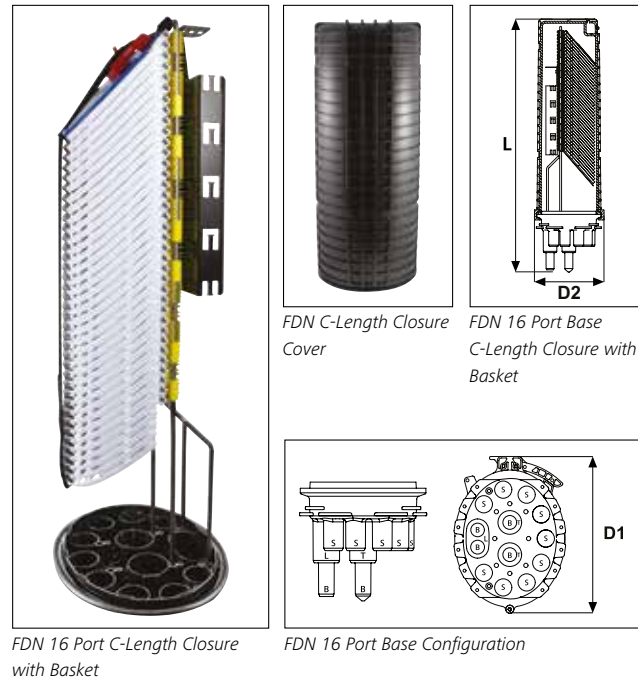


FDN 16 Port Tubed Closure

C Length with Basket

Features and Benefits

- Maximum 864 fibre splice capacity when using SMF SE-A trays
- 15 round ports and 1 oval port
- Moulded supports allow the cover to be removed whilst closure is in-situ
- Fixing points for external cable management attachments
- Fibre storage basket for loop through applications
- Accommodates Hellipse NZDF SE-A and SMF SE-A trays
- Maximum 24 splices per tray without double stacking (SMF SE-A trays)
- Splitter accommodation
- Cablelok compatible for all port sizes
- Quick release cover
- Optional flash test valve and/or grounding feed through



Technical Description

The FDN 16 Port C Length closure is supplied with a Polypropylene base. The base configuration of 15 round ports and 1 oval port covers a cable diameter range of 4.8 – 29.0mm when using Cablelok mechanical seals and 6.0 – 35.0mm when using heatshrink. The moulded supports on the base allow the cover to be removed from the closure whilst it is still in-situ. Bosses moulded in to the closure base enable fixing of external cable management attachments.

The mounting system is manufactured from Grade 304 stainless steel and can accommodate up to 36 Hellipse NZDF SE-A or SMF SE-A trays

giving a maximum of 864 splices based on 24 fibres per tray (when using Hellipse SMF SE-A trays).

The tube closure and the position of the mounting system allow for ease of access and traceability of the fibre on to the trays and the basket provides storage space for the storage of fibre loops. The trays are white which makes it easy to see the colour of the fibre elements as they are routed through the fibre management system.

TYPE	Width D1 (mm)	Width D2 (mm)	Length L (mm)	Base Type	Tray Type	Tray Quantity	Splice Protector Type	Basket Size	Article-No.
FDNTB-CXBAD61	312	222	789	Cablelok, Heatshrink	Hellipse NZDF SE-A	36	3A	Large	857-01016
FDNTB-CXBAH6X	312	222	789	Cablelok, Heatshrink	Hellipse SMF SE-A	36	3A	Large	857-01017
FDNTB-CXBAXXX	312	222	789	Cablelok, Heatshrink	Not supplied	-	-	Large	857-01018

Products listed are for standard configurations, other configurations and splice insert types are available - see Page 176

Content of Set/Kit

- FDN 16 Port Base
- C-Length Cover (Dome)
- Quick Release Clamp
- Sealing 'O' Ring
- Fibre Storage Basket
- Tray Support Frame
- Anchor Fixing Kit (3)
- Tray Tool
- Hook and Loop Securing Strap
- Transportation Tubing
- Tubefix – Tube to Tray Securing Blocks
- Hook and Loop Management Ties
- Isopropyl Alcohol Wipes
- Desiccant
- Installation Guides
- Marker Kit
 - Red Marker 1 – 48
 - Green Marker 1 – 48



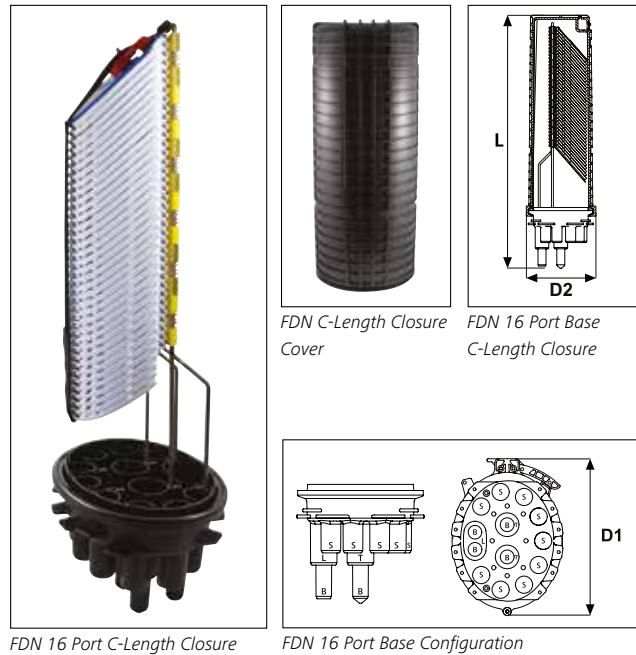
FDN Tubed

FDN 16 Port Tubed Closure

C Length

Features and Benefits

- Maximum 864 fibre splice capacity when using SMF SE-A trays
- 15 round ports and 1 oval port
- Moulded supports allow the cover to be removed whilst closure is in-situ
- Fixing points for external cable management attachment
- Accommodates Hellipse NZDF SE-A and SMF SE-A trays
- Maximum 24 splices per tray without double stacking (SMF SE-A trays)
- Splitter accommodation
- Cablelok compatible for all port sizes
- Quick release cover
- Optional flash test valve and/or grounding feed through



FDN 16 Port C-Length Closure

FDN C-Length Closure Cover

FDN 16 Port Base C-Length Closure

FDN 16 Port Base Configuration

Technical Description

The FDN 16 Port C Length closure is supplied with a Polypropylene base. The base configuration of 15 round ports and 1 oval port covers a cable diameter range of 4.8 – 29.0mm when using Cablelok mechanical seals and 6.0 – 35.0mm when using heatshrink. The moulded supports on the base allow the cover to be removed from the closure whilst it is still in-situ. Bosses moulded in to the closure base enable fixing of external cable management attachments.

The mounting system is manufactured from Grade 304 stainless steel and can accommodate up to 36 Hellipse NZDF SE-A or SMF SE-A trays

giving a maximum of 864 splices based on 24 fibres per tray (when using Hellipse SMF SE-A trays).

The tube closure and the position of the mounting system allow for ease of access and traceability of the fibre on to the trays. The trays are white which makes it easy to see the colour of the fibre elements as they are routed through the fibre management system.

TYPE	Width D1 (mm)	Width D2 (mm)	Length L (mm)	Base Type	Tray Type	Tray Quantity	Splice Protector Type	Article-No.
FDNTB-CXXA61	312	222	789	Cablelok, Heatshrink	Hellipse NZDF SE-A	36	3A	857-01019
FDNTB-CXXAH6X	312	222	789	Cablelok, Heatshrink	Hellipse SMF SE-A	36	3A	857-01020
FDNTB-CXXAXXX	312	222	789	Cablelok, Heatshrink	Not supplied	-	-	857-01021

Products listed are for standard configurations, other configurations and splice insert types are available - see Page 176

Content of Set/Kit

- | | | | |
|-------------------------|--------------------------------|---------------------------------|-----------------------|
| • FDN 16 Port Base | • Anchor Fixing Kit (3) | • Securing Blocks | • Installation Guides |
| • C-Length Cover (Dome) | • Tray Tool | • Hook and Loop Management Ties | • Marker Kit |
| • Quick Release Clamp | • Hook and Loop Securing Strap | • Isopropyl Alcohol Wipes | - Red Marker 1 – 48 |
| • Sealing 'O' Ring | • Transportation Tubing | • Desiccant | - Green Marker 1 – 48 |
| • Tray Support Frame | • Tubefix – Tube to Tray | | |

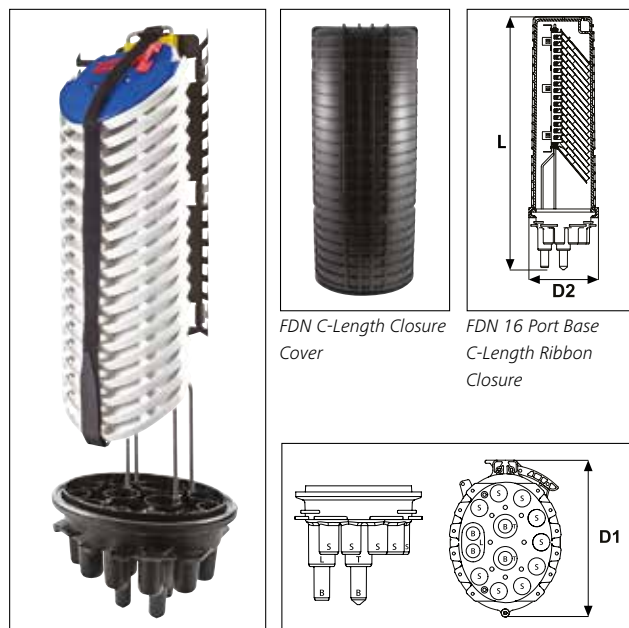


FDN 16 Port Tubed Closure

C Length with Multi-Ribbon Tray with Basket

Features and Benefits

- Maximum 216 (8 or 12 fibre) ribbon cable splice capacity
- 15 round ports and 1 oval port
- Moulded supports allow the cover to be removed whilst the closure is in-situ
- Fixing points for external cable management attachments
- 18 x Multi-Ribbon trays
- Maximum of 12 (8 or 12 fibre) ribbon cable splices per tray
- Fibre storage basket for loop through applications supplied as standard
- Cablelok compatible for all port sizes
- Quick release cover
- Optional flash test valve and/or grounding feed-through



FDN 16 Port C-Length Ribbon Closure with Basket

FDN C-Length Closure Cover

FDN 16 Port Base C-Length Ribbon Closure

FDN 16 Port Base Configuration

Technical Description

The FDN C Length closure is supplied with a Polypropylene base. The base configuration of 15 round ports and 1 oval port covers a cable diameter range of 4.8 – 29.0mm when using Cablelok mechanical seals and 6.0 – 35.0mm when using heatshrink. The moulded supports on the base allow the cover to be removed from the closure whilst it is still in-situ. Bosses moulded in to the closure base enable fixing of external cable management attachments.

The mounting system is manufactured from Grade 304 stainless steel and can accommodate up to 18 Multi-Ribbon cable trays giving a maximum splice capacity of 216 (8 or 12 fibre) ribbon cables based on

12 ribbon cable splices per tray.

The tubed closure and position of the mounting system allows for ease of access and traceability of the fibre on to the trays. The trays are white with a clear cover which makes it easy to see the colour of the fibre elements as they are routed through the fibre management system and on to the trays.

The Multi-Ribbon tray can also accommodate 3A splices when used with the appropriate tubefix connectors and transport tubing (See Chapter 13 – Accessories).

TYPE	Width D1 (mm)	Width D2 (mm)	Length L (mm)	Base Type	Tray Type	Tray Quantity	Splice Protector Type	Basket Size	Article-No.
FDNTB-CXRAR67	312	222	789	Cablelok, Heatshrink	Multi-Ribbon	18	12 Fibre Ribbon, 8 Fibre Ribbon	Large	857-01043

Products listed are for standard configurations, other configurations and splice insert types are available - see Page 176

Content of Set/Kit

- FDN 16 Port Base
- C-Length Cover (Dome)
- Quick Release Clamp
- Sealing 'O' Ring
- Fibre Storage Basket
- Tray Support Frame
- Anchor Fixing Kit (3)
- Tray Tool
- Hook and Loop Securing Straps
- Isopropyl Alcohol Wipes
- Desiccant
- Installation Guide

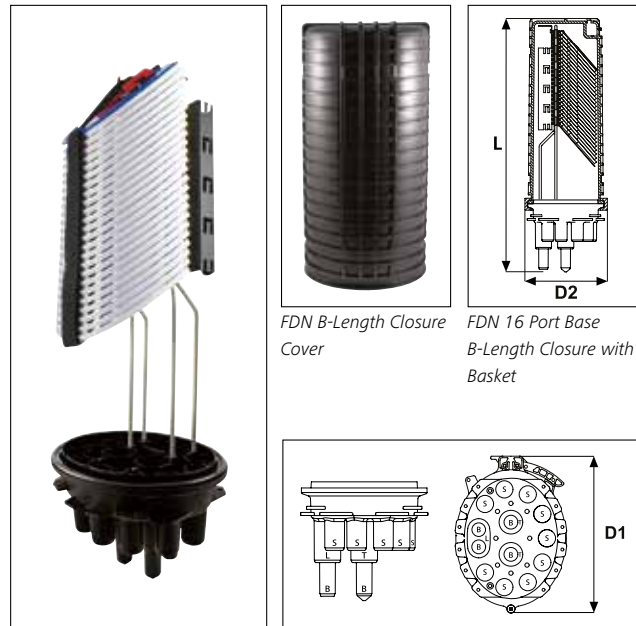


FDN 16 Port Tubed Closure

B Length with Basket

Features and Benefits

- Maximum 576 fibre splice capacity when using SMF SE-A trays
- 15 round ports and 1 oval port
- Moulded supports allow the cover to be removed whilst closure is in-situ
- Fixing points for external cable management attachments
- Fibre storage basket for loop through applications
- Accommodates Hellipse NZDF SE-A and SMF SE-A trays
- Maximum 24 splices per tray without double stacking (SMF SE-A trays)
- Splitter accommodation
- Cablelok compatible for all port sizes
- Quick release cover
- Optional flash test valve and/or grounding feed through



FDN 16 Port B-Length Closure with Basket

FDN B-Length Closure Cover

FDN 16 Port Base B-Length Closure with Basket

FDN 16 Port Base Configuration

Technical Description

The FDN 16 Port B Length closure is supplied with a Polypropylene base. The base configuration of 15 round ports and 1 oval port covers a cable diameter range of 4.8 – 29.0mm when using Cablelok mechanical seals and 6.0 – 35.0mm when using heatshrink. The moulded supports on the base allow the cover to be removed from the closure whilst it is still in-situ. Bosses moulded in to the closure base enable fixing of external cable management attachments.

The mounting system is manufactured from Grade 304 stainless steel and can accommodate up to 24 Hellipse NZDF SE-A or SMF SE-A trays

giving a maximum of 576 splices based on 24 fibres per tray (when using Hellipse SMF SE-A trays).

The tube closure and the position of the mounting system allow for ease of access and traceability of the fibre on to the trays and the basket provides storage space for the storage of fibre loops. The trays are white which makes it easy to see the colour of the fibre elements as they are routed through the fibre management system.

TYPE	Width D1 (mm)	Width D2 (mm)	Length L (mm)	Base Type	Tray Type	Tray Quantity	Splice Protector Type	Basket Size	Article-No.
FDNTB-BXBAD41	312	222	663	Cablelok, Heatshrink	Hellipse NZDF SE-A	24	3A	Large	857-01022
FDNTB-BXBAH4X	312	222	663	Cablelok, Heatshrink	Hellipse SMF SE-A	24	3A	Large	857-01023
FDNTB-BXBAXXX	312	222	663	Cablelok, Heatshrink	Not supplied	-	-	Large	857-01024

Products listed are for standard configurations, other configurations and splice insert types are available - see Page 176

Content of Set/Kit

- FDN 16 Port Base
- B-Length Cover (Dome)
- Quick Release Clamp
- Sealing 'O' Ring
- Fibre Storage Basket
- Tray Support Frame
- Anchor Fixing Kit (3)
- Tray Tool
- Hook and Loop Securing Strap
- Transportation Tubing
- Tubefix – Tube to Tray Securing Blocks
- Hook and Loop Management Ties
- Isopropyl Alcohol Wipes
- Desiccant
- Installation Guides
- Marker Kit
 - Red Marker 1 – 25
 - Green Marker 1 – 25

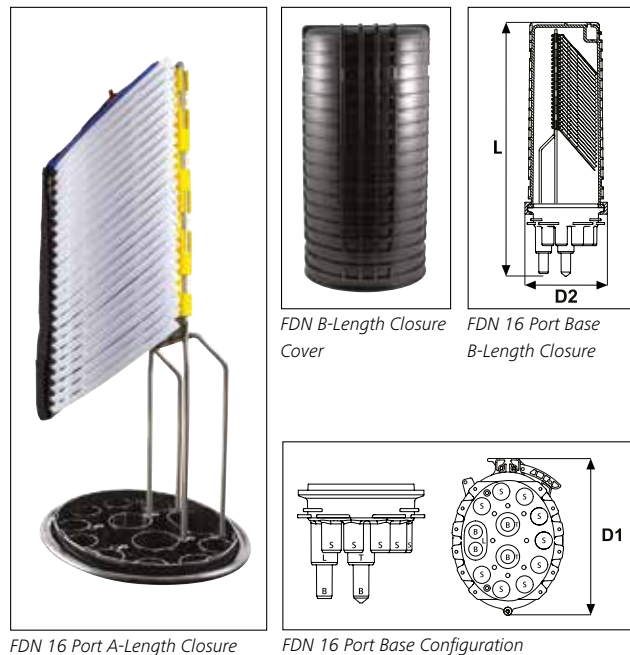


FDN 16 Port Tubed Closure

B Length

Features and Benefits

- Maximum 576 fibre splice capacity when using SMF SE-A trays
- 15 round ports and 1 oval port
- Moulded supports allow the cover to be removed whilst closure is in-situ
- Fixing points for external cable management attachments
- Accommodates Hellipse NZDF SE-A and SMF SE-A trays
- Maximum 24 splices per tray without double stacking (SMF SE-A trays)
- Splitter accommodation
- Cablelok compatible for all port sizes
- Quick release cover
- Optional flash test valve and/or grounding feed through



FDN 16 Port A-Length Closure

FDN B-Length Closure Cover

FDN 16 Port Base B-Length Closure

FDN 16 Port Base Configuration

Technical Description

The FDN 16 Port B Length closure is supplied with a Polypropylene base. The base configuration of 15 round ports and 1 oval port covers a cable diameter range of 4.8 – 29.0mm when using Cablelok mechanical seals and 6.0 – 35.0mm when using heatshrink. The moulded supports on the base allow the cover to be removed from the closure whilst it is still in-situ. Bosses moulded in to the closure base enable fixing of external cable attachments.

The mounting system is manufactured from Grade 304 stainless steel and can accommodate up to 24 Hellipse NZDF SE-A or SMF SE-A trays

giving a maximum of 576 splices based on 24 fibres per tray (when using Hellipse SMF SE-A trays).

The tube closure and the position of the mounting system allow for ease of access and traceability of the fibre on to the trays. The trays are white which makes it easy to see the colour of the fibre elements as they are routed through the fibre management system.

TYPE	Width D1 (mm)	Width D2 (mm)	Length L (mm)	Base Type	Tray Type	Tray Quantity	Splice Protector Type	Article-No.
FDNTB-BXXAD41	312	222	663	Cablelok, Heatshrink	Hellipse NZDF SE-A	24	3A	857-01025
FDNTB-BXXAH4X	312	222	663	Cablelok, Heatshrink	Hellipse SMF SE-A	24	3A	857-01026
FDNTB-BXXAXXX	312	222	663	Cablelok, Heatshrink	Not supplied	-	-	857-01027

Products listed are for standard configurations, other configurations and splice insert types are available - see Page 176

Content of Set/Kit

- FDN 16 Port Base
- B-Length Cover (Dome)
- Quick Release Clamp
- Sealing 'O' Ring
- Tray Support Frame
- Anchor Fixing Kit (3)
- Tray Tool
- Hook and Loop Securing Strap
- Transportation Tubing
- Tubefix – Tube to Tray
- Securing Blocks
- Hook and Loop Management Ties
- Isopropyl Alcohol Wipes
- Desiccant
- Installation Guides
- Marker Kit
 - Red Marker 1 – 25
 - Green Marker 1 – 25



FDN Tubed

FDN 16 Port Tubed Closure

B Length with Multi-Ribbon Tray with Basket

Features and Benefits

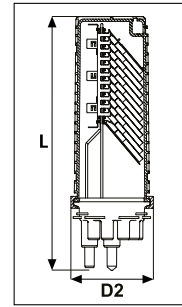
- Maximum 144 (8 or 12 fibre) ribbon cable splice capacity
- 15 round ports and 1 oval port
- Moulded supports allow the cover to be removed whilst the closure is in-situ
- fixing points for external cable management attachments
- 12 x Multi-Ribbon trays
- Maximum of 12 (8 or 12 fibre) ribbon cable splices per tray
- Fibre storage basket for loop through applications supplied as standard
- Cablelok compatible for all port sizes
- Quick release cover
- Optional flash test valve and/or grounding feed-through



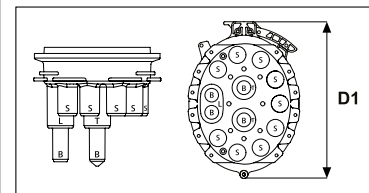
FDN 16 Port B-Length Ribbon Closure with Basket



FDN B-Length Closure Cover



FDN 16 Port Base B-Length Ribbon Closure



FDN 16 Port Base Configuration

Technical Description

The FDN B Length closure is supplied with a Polypropylene base. The base configuration of 16 round ports and 1 oval port covers a cable diameter range of 4.8 – 29.0mm when using Cablelok mechanical seals and 6.0 – 35.0mm when using heatshrink. The moulded supports on the base allow the cover to be removed from the closure whilst it is in-situ. Bosses moulded in to the closure base enable fixing of external cable management attachments.

The mounting system is manufactured from Grade 304 stainless steel and can accommodate up to 12 Multi-Ribbon cable trays giving a maximum splice capacity of 144 (8 or 12 fibre) ribbon cable splices

based on 12 ribbon cable splices per tray.

The tubed closure and position of the mounting system allows for ease of access and traceability of the fibre on to the trays. The trays are white with a clear cover which makes it easy to see the colour of the fibre elements as they are routed through the fibre management system and on to the trays.

The Multi-Ribbon tray can also accommodate 3A splices when used with the appropriate tubefix connectors and transport tubing (See Chapter 13 – Accessories).

TYPE	Width D1 (mm)	Width D2 (mm)	Length L (mm)	Base Type	Tray Type	Tray Quantity	Splice Protector Type	Basket Size	Article-No.
FDNTB-BXRAR47	312	222	663	Cablelok, Heatshrink	Multi-Ribbon	12	12 Fibre Ribbon, 8 Fibre Ribbon	Medium	857-01042

Products listed are for standard configurations, other configurations and splice insert types are available - see Page 176

Content of Set/Kit

- FDN 16 Port Base
- B-Length Cover (Dome)
- Quick Release Clamp
- Sealing 'O' Ring
- Fibre Storage Basket
- Tray Support Frame
- Anchor Fixing Kit (3)
- Tray Tool
- Hook and Loop Securing Straps
- Isopropyl Alcohol Wipes
- Desiccant
- Installation Guide

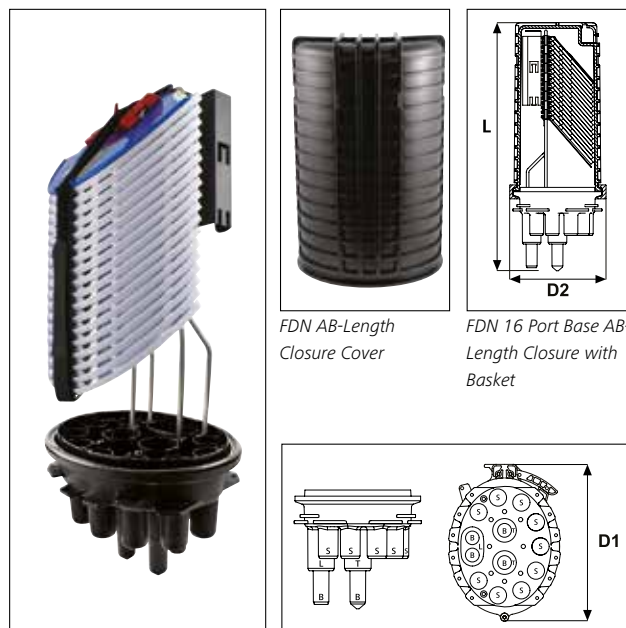


FDN 16 Port Tubed Closure

AB Length with Basket

Features and Benefits

- Maximum 432 fibre splice capacity when using SMF SE-A trays
- 15 round ports and 1 oval port
- Moulded supports allow the cover to be removed whilst closure is in-situ
- Fixing points for external cable management attachments
- Fibre storage basket for loop through applications
- Accommodates Hellipse NZDF SE-A and SMF SE-A trays
- Maximum 24 splices per tray without double stacking (SMF SE-A trays)
- Splitter accommodation
- Cablelok compatible for all port sizes
- Quick release cover
- Optional flash test valve and/or grounding feed through



FDN 16 Port AB-Length Closure with Basket

FDN 16 Port Base Configuration

Technical Description

The FDN 16 Port AB Length closure is supplied with a Polypropylene base. The base configuration of 15 round ports and 1 oval port covers a cable diameter range of 4.8 – 29.0mm when using Cablelok mechanical seals and 6.0 – 35.0mm when using heatshrink. The moulded supports on the base allow the cover to be removed from the closure whilst it is still in-situ. Bosses moulded in to the closure base enable fixing of external cable management attachments.

The mounting system is manufactured from Grade 304 stainless steel and can accommodate up to 18 Hellipse NZDF SE-A or SMF SE-A trays

giving a maximum of 432 splices based on 24 fibres per tray (when using Hellipse SMF SE-A trays).

The tube closure and the position of the mounting system allow for ease of access and traceability of the fibre on to the trays and the basket provides storage space for the storage of fibre loops. The trays are white which makes it easy to see the colour of the fibre elements as they are routed through the fibre management system.

TYPE	Width D1 (mm)	Width D2 (mm)	Length L (mm)	Base Type	Tray Type	Tray Quantity	Splice Protector Type	Basket Size	Article-No.
FDNTB-ABBAD31	312	222	561	Cablelok, Heatshrink	Hellipse NZDF SE-A	18	3A	Small	857-01028
FDNTB-ABBAH3X	312	222	561	Cablelok, Heatshrink	Hellipse SMF SE-A	18	3A	Small	857-01029
FDNTB-ABBAXXX	312	222	561	Cablelok, Heatshrink	Not supplied	-	-	Small	857-01030

Products listed are for standard configurations, other configurations and splice insert types are available - see Page 176

Content of Set/Kit

- FDN 16 Port Base
- AB-Length Cover (Dome)
- Quick Release Clamp
- Sealing 'O' Ring
- Fibre Storage Basket
- Tray Support Frame
- Anchor Fixing Kit (3)
- Tray Tool
- Hook and Loop Securing Strap
- Transportation Tubing
- Tubefix – Tube to Tray Securing Blocks
- Hook and Loop Management Ties
- Isopropyl Alcohol Wipes
- Desiccant
- Installation Guides
- Marker Kit
 - Red Marker 1 – 25
 - Green Marker 1 – 25



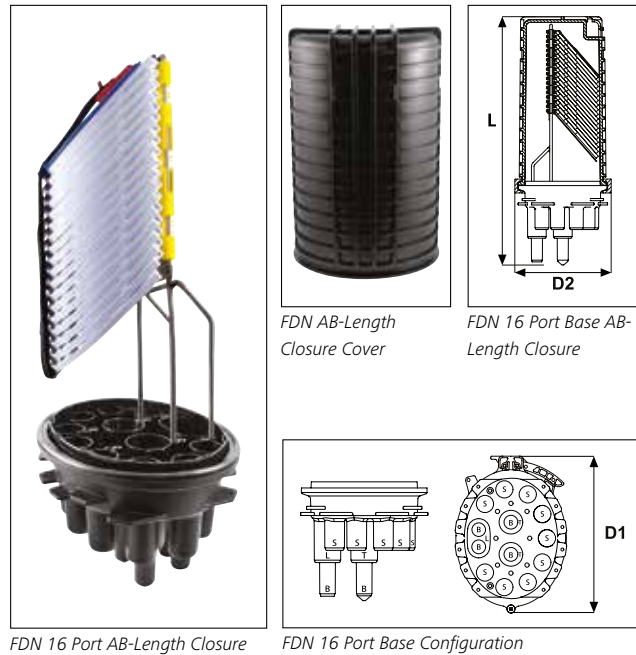
FDN Tubed

FDN 16 Port Tubed Closure

AB Length

Features and Benefits

- Maximum 432 fibre splice capacity when using SMF SE-A trays
- 15 round ports and 1 oval port
- Moulded supports allow the cover to be removed whilst closure is in-situ
- Fixing points for external cable management attachments
- Accommodates Hellipse NZDF SE-A and SMF SE-A trays
- Maximum 24 splices per tray without double stacking (SMF SE-A trays)
- Splitter accommodation
- Cablelok compatible for all port sizes
- Quick release cover
- Optional flash test valve and/or grounding feed through



FDN 16 Port AB-Length Closure

FDN 16 Port Base Configuration

Technical Description

The FDN 16 Port AB Length closure is supplied with a Polypropylene base. The base configuration of 15 round ports and 1 oval port covers a cable diameter range of 4.8 – 29.0mm when using Cablelok mechanical seals and 6.0 – 35.0mm when using heatshrink. The moulded supports on the base allow the cover to be removed from the closure whilst it is still in-situ. Bosses moulded in to the closure base enable fixing of external cable management attachments.

The mounting system is manufactured from Grade 304 stainless steel and can accommodate up to 18 Hellipse NZDF SE-A or SMF SE-A trays

giving a maximum of 432 splices based on 24 fibres per tray (when using Hellipse SMF SE-A trays).

The tube closure and the position of the mounting system allow for ease of access and traceability of the fibre on to the trays. The trays are white which makes it easy to see the colour of the fibre elements as they are routed through the fibre management system.

TYPE	Width D1 (mm)	Width D2 (mm)	Length L (mm)	Base Type	Tray Type	Tray Quantity	Splice Protector Type	Article-No.
FDNTB-ABXAD31	312	222	561	Cablelok, Heatshrink	Hellipse NZDF SE-A	18	3A	857-01031
FDNTB-ABXAH3X	312	222	561	Cablelok, Heatshrink	Hellipse SMF SE-A	18	3A	857-01032
FDNTB-ABXAXXX	312	222	561	Cablelok, Heatshrink	Not supplied	-	-	857-01033

Products listed are for standard configurations, other configurations and splice insert types are available - see Page 176

Content of Set/Kit

- FDN 16 Port Base
- AB-Length Cover (Dome)
- Quick Release Clamp
- Sealing 'O' Ring
- Tray Support Frame
- Anchor Fixing Kit (3)
- Tray Tool
- Hook and Loop Securing Strap
- Transportation Tubing
- Tubefix – Tube to Tray
- Securing Blocks
- Hook and Loop Management Ties
- Isopropyl Alcohol Wipes
- Desiccant
- Installation Guides
- Marker Kit
 - Red Marker 1 – 25
 - Green Marker 1 – 25



FDN 16 Port Tubed Closure

AB Length with Multi-Ribbon Tray with Basket

Features and Benefits

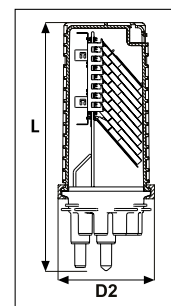
- Maximum 108 (8 or 12) ribbon cable splice capacity
- 15 round ports and 1 oval port
- Moulded supports allow the cover to be removed whilst the closure is in-situ
- Fixing points for external cable management attachments
- 9 x Multi-Ribbon trays
- Maximum of 12 (8 or 12) ribbon cable splices per tray
- Fibre storage basket for loop through applications supplied as standard
- Cablelok compatible for all port sizes
- Quick release cover
- Optional flash test valve and/or grounding feed-through



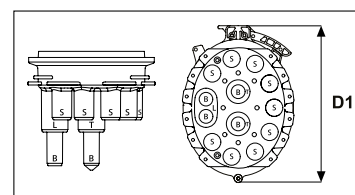
FDN 16 Port AB-Length Ribbon Closure with Basket



FDN AB-Length Closure Cover



FDN 16 Port Base AB-Length Ribbon Closure



FDN 16 Port Base Configuration

Technical Description

The FDN AB Length closure is supplied with a Polypropylene base. The base configuration of 15 round ports and 1 oval port covers a cable diameter range of 4.8 – 29.0mm when using Cablelok mechanical seals and 6.0 – 35.0mm when using heatshrink. The moulded supports on the base allow the cover to be removed from the closure whilst it is still in-situ. Bosses moulded in to the closure base enable fixing of external cable management attachments.

The mounting system is manufactured from Grade 304 stainless steel and can accommodate up to 9 Multi-Ribbon cable trays giving a maximum splice capacity of 108 (8 or 12 fibre) ribbon cables based on

12 ribbon cable splices per tray.

The tubed closure and position of the mounting system allows for ease of access and traceability of the fibre on to the trays. The trays are white with a clear cover which makes it easy to see the colour of the fibre elements as they are routed through the fibre management system and on to the trays.

The Multi-Ribbon tray can also accommodate 3A splices when used with the appropriate tubefix connectors and transport tubing (See Chapter 13 – Accessories).

TYPE	Width D1 (mm)	Width D2 (mm)	Length L (mm)	Base Type	Tray Type	Tray Quantity	Splice Protector Type	Basket Size	Article-No.
FDNTB-ABRAR37	312	222	561	Cablelok, Heatshrink	Multi-Ribbon	9	12 Fibre Ribbon, 8 Fibre Ribbon	Small	857-01041

Products listed are for standard configurations, other configurations and splice insert types are available - see Page 176

Content of Set/Kit

- FDN 16 Port Base
- AB-Length Cover (Dome)
- Quick Release Clamp
- Sealing 'O' Ring
- Fibre Storage Basket
- Tray Support Frame
- Anchor Fixing Kit (3)
- Tray Tool
- Hook and Loop Securing Straps
- Isopropyl Alcohol Wipes
- Desiccant
- Installation Guide



FDN Tubed

FDN 16 Port Tubed Closure

A Length with Basket

Features and Benefits

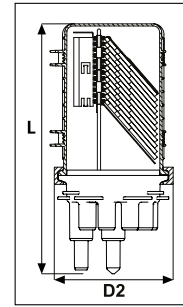
- Maximum 288 fibre splice capacity when using SMF SE-A trays
- 15 round ports and 1 oval port
- Moulded supports allow the cover to be removed whilst closure is in-situ
- Fibre storage basket for loop through applications
- Accommodates Hellipse NZDF SE-A and SMF SE-A trays
- Maximum 24 splices per tray without double stacking (SMF SE-A trays)
- Splitter accommodation
- Cablelok compatible for all port sizes
- Quick release cover
- Optional flash test valve and/or grounding feed through



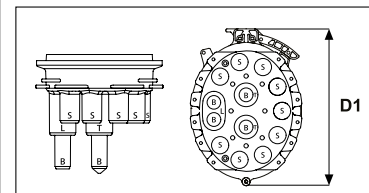
FDN 16 Port A-Length Closure with Basket



FDN 59 Port A-Length Closure Cover



FDN 16 Port Base A-Length Closure with Basket



FDN 16 Port Base Configuration

Technical Description

The FDN 16 Port A Length closure is supplied with a Polypropylene base. The base configuration of 15 round ports and 1 oval port covers a cable diameter range of 4.8 – 29.0mm when using Cablelok mechanical seals and 6.0 – 35.0mm when using heatshrink. The moulded supports on the base allow the cover to be removed from the closure whilst it is still in-situ. Bosses moulded in to the closure base enable fixing of external cable management attachments.

The mounting system is manufactured from Grade 304 stainless steel and can accommodate up to 12 Hellipse NZDF SE-A or SMF SE-A trays

giving a maximum of 288 splices based on 24 fibres per tray (when using Hellipse SMF SE-A trays).

The tube closure and the position of the mounting system allow for ease of access and traceability of the fibre on to the trays and the basket provides storage space for the storage of fibre loops. The trays are white which makes it easy to see the colour of the fibre elements as they are routed through the fibre management system.

TYPE	Width D1 (mm)	Width D2 (mm)	Length L (mm)	Base Type	Tray Type	Tray Quantity	Splice Protector Type	Basket Size	Article-No.
FDNTB-AXBAD21	312	222	455	Cablelok, Heatshrink	Hellipse NZDF SE-A	12	3A	Small	857-01034
FDNTB-AXBAH2X	312	222	455	Cablelok, Heatshrink	Hellipse SMF SE-A	12	3A	Small	857-01035
FDNTB-AXBAXXX	312	222	455	Cablelok, Heatshrink	Not supplied	-	-	Small	857-01036

Products listed are for standard configurations, other configurations and splice insert types are available - see Page 176

Content of Set/Kit

- FDN 16 Port Base
- A-Length Cover (Dome)
- Quick Release Clamp
- Sealing 'O' Ring
- Fibre Storage Basket
- Tray Support Frame
- Anchor Fixing Kit (3)
- Tray Tool
- Hook and Loop Securing Strap
- Transportation Tubing
- Tubefix – Tube to Tray Securing Blocks
- Hook and Loop Management Ties
- Isopropyl Alcohol Wipes
- Desiccant
- Installation Guides
- Marker Kit
 - Red Marker 1 – 12
 - Green Marker 1 – 12

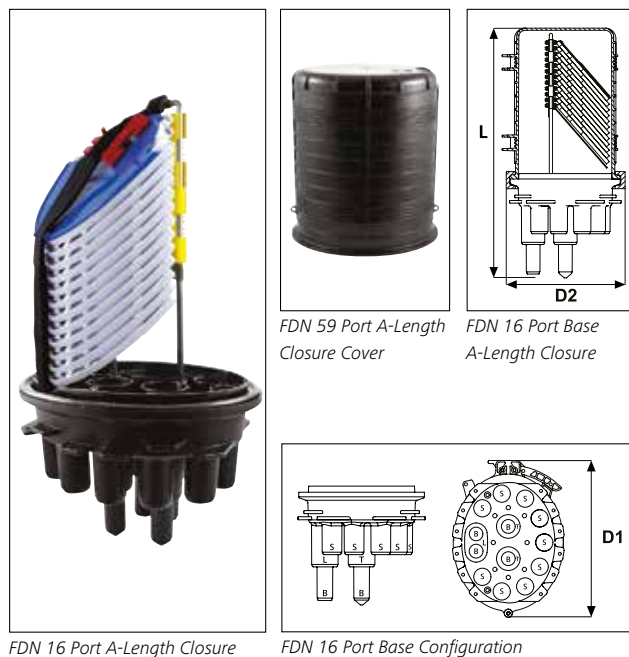


FDN 16 Port Tubed Closure

A Length

Features and Benefits

- Maximum 288 fibre splice capacity when using SMF SE-A trays
- 15 round ports and 1 oval port
- Moulded supports allow the cover to be removed whilst closure is in-situ
- Accommodates Hellipse NZDF SE-A and SMF SE-A trays
- Maximum 24 splices per tray without double stacking (SMF SE-A trays)
- Splitter accommodation
- Cablelok compatible for all port sizes
- Quick release cover
- Optional flash test valve and/or grounding feed through



FDN 16 Port A-Length Closure

FDN 59 Port A-Length Closure Cover

FDN 16 Port Base A-Length Closure

FDN 16 Port Base Configuration

Technical Description

The FDN 16 Port A Length closure is supplied with a Polypropylene base. The base configuration of 15 round ports and 1 oval port covers a cable diameter range of 4.8 – 29.0mm when using Cablelok mechanical seals and 6.0 – 35.0mm when using heatshrink. The moulded supports on the base allow the cover to be removed from the closure whilst it is still in-situ. Bosses moulded in to the closure base enable fixing of external cable management attachments.

The mounting system is manufactured from Grade 304 stainless steel and can accommodate up to 12 Hellipse NZDF SE-A or SMF SE-A trays

giving a maximum of 288 splices based on 24 fibres per tray (when using Hellipse SMF SE-A trays).

The tube closure and the position of the mounting system allow for ease of access and traceability of the fibre on to the trays. The trays are white which makes it easy to see the colour of the fibre elements as they are routed through the fibre management system.

TYPE	Width D1 (mm)	Width D2 (mm)	Length L (mm)	Base Type	Tray Type	Tray Quantity	Splice Protector Type	Article-No.
FDNTB-AXXAD21	312	222	455	Cablelok, Heatshrink	Hellipse NZDF SE-A	12	3A	857-01037
FDNTB-AXXAH2X	312	222	455	Cablelok, Heatshrink	Hellipse NZDF SE-A	12	3A	857-01038
FDNTB-AXXAXXX	312	222	455	Cablelok, Heatshrink	Not supplied	-	-	857-01039

Products listed are for standard configurations, other configurations and splice insert types are available - see Page 176

Content of Set/Kit

- FDN 16 Port Base
- A-Length Cover (Dome)
- Quick Release Clamp
- Sealing 'O' Ring
- Tray Support Frame
- Anchor Fixing Kit (3)
- Tray Tool
- Hook and Loop Securing Strap
- Transportation Tubing
- Tubefix – Tube to Tray
- Securing Blocks
- Hook and Loop Management Ties
- Isopropyl Alcohol Wipes
- Desiccant
- Installation Guides
- Marker Kit
 - Red Marker 1 – 12
 - Green Marker 1 – 12



FDN Tubed

FDN 16 Port Tubed Closure

A Length with Multi-Ribbon Tray with Basket

Features and Benefits

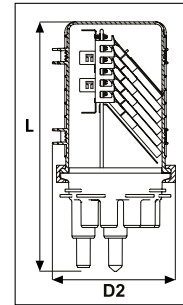
- Maximum 72 (8 or 12 fibre) ribbon cable splice capacity
- 15 round ports and 1 oval port
- Moulded supports allow the cover to be removed whilst the closure is in-situ
- Fixing points for external cable management attachments
- 6 x Multi-Ribbon trays
- Maximum of 12 (8 or 12 fibre) ribbon cable splices per tray
- Fibre storage basket for loop through applications supplied as standard
- Cablelok compatible for all port sizes
- Quick release cover
- Optional flash test valve and/or grounding feed-through



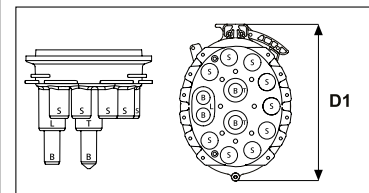
FDN 16 Port A-Length Ribbon Closure with Basket



FDN 59 Port A-Length Closure Cover



FDN 16 Port Base B-Length Ribbon Closure



FDN 16 Port Base Configuration

Technical Description

The FDN A Length closure is supplied with a Polypropylene base. The base configuration of 15 round ports and 1 oval port covers a cable diameter range of 4.8 – 29.0mm when using Cablelok mechanical seals and 6.0 – 35.0mm when using heatshrink. The moulded supports on the base allow the cover to be removed from the closure whilst it is still in-situ.

The mounting system is manufactured from Grade 304 stainless steel and can accommodate up to 9 Multi-Ribbon cable trays giving a maximum splice capacity of 72 (8 or 12 fibre) ribbon cables based on 12

ribbon cable splices per tray.

The tubed closure and position of the mounting system allows for ease of access and traceability of the fibre on to the trays. The trays are white with a clear cover which makes it easy to see the colour of the fibre elements as they are routed through the fibre management system and on to the trays.

The Multi-Ribbon tray can also accommodate 3A splices when used with the appropriate tubefix connectors and transport tubing (See Chapter 13 – Accessories).

TYPE	Width D1 (mm)	Width D2 (mm)	Length L (mm)	Base Type	Tray Type	Tray Quantity	Splice Protector Type	Basket Size	Article-No.
FDNTB-AXRAR27	312	222	455	Cablelok, Heatshrink	Multi-Ribbon	6	12 Fibre Ribbon, 8 Fibre Ribbon	Small	857-01040

Products listed are for standard configurations, other configurations and splice insert types are available - see Page 176

Content of Set/Kit

- FDN 16 Port Base
- A-Length Cover (Dome)
- Quick Release Clamp
- Sealing 'O' Ring
- Fibre Storage Basket
- Tray Support Frame
- Anchor Fixing Kit (3)
- Tray Tool
- Hook and Loop Securing Straps
- Isopropyl Alcohol Wipes
- Desiccant
- Installation Guide

Technical Information just a click away



HellermannTyton's media centre can be found online at htdata.co.uk

We have an extensive library that is free to download including PDF installation guides, instruction videos, visio stencils and technical datasheets.

HellermannTyton Media Centre Includes:

- PDF versions of all our Brochures, Flyers and Leaflets
- Full PDF library of the LAN, LightGuide and Broadband Connectivity Catalogues
- Installation Guides
- Installation Videos
- Datasheets
- Visio Stencils
- White Papers
- Case Studies



Available for download at

htdata.co.uk

Stay in touch with us!

