



Ratchet P-Clamp

Rugged bundle management for heavy duty applications



Simply made for the toughest conditions



## Rugged bundle management for heavy duty applications

You are always looking to reduce costs and streamline work flows. But to adopt a new component, it also needs to meet your needs for versatility, durability and ease of use – without compromising performance.

The Ratchet P-Clamp's patent-pending design makes it extremely versatile for managing wire harnesses and cables. Its rugged construction and specialized materials are perfect for heavy duty applications, indoors and outdoors.

You close the one-piece adjustable clamp manually, exactly to the desired diameter. Audible clicks let you know that it is secured. Releasing the bundle is simple and nondestructive – all you need is a small, flat head screwdriver.

Offered in four sizes and in several mounting configurations, the reusable design minimizes part inventory, speeds fastening and simplifies maintenance.

Old fashioned P-Clamps are difficult to position, can twist and pinch wires during installation, and complicate maintenance. They corrode or wear out over time. Plus, you often need to invest in an extensive inventory to have all the sizes and variations you need.

Engineered with both the application and the user in mind, Ratchet P-Clamp offers:

- **Versatility** – Secure hard lines, soft cable bundles ranging from ¼" to 2" wide
- **Ease of Use** – Position, torque down, close by hand – that's it!
- **Alignment** – Center cables as the clamp closes
- **Durability** – PA66 body and high grade steel mounting plate never wears out or corrodes

## Markets



## Simply versatile

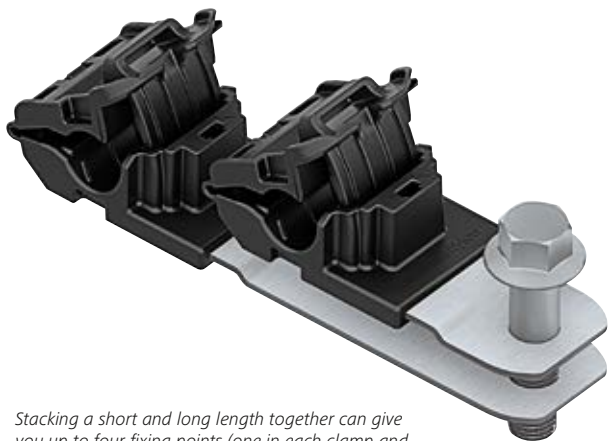


### Versatility

Working with a mix of wires and cable sizes? Need to route multiple bundles in parallel? Ratchet P-Clamp will secure a range of cables without changing any other part of your cable routing and management strategy.

#### Multiple Sizes

Four ratchet sizes accommodate hard line and soft cable bundles ranging from 6.2 mm to 51 mm in diameter. You can reduce your inventory with only a few adjustable P-Clamps.



*Stacking a short and long length together can give you up to four fixing points (one in each clamp and one in each cable tie saddle), using only one bolt.*

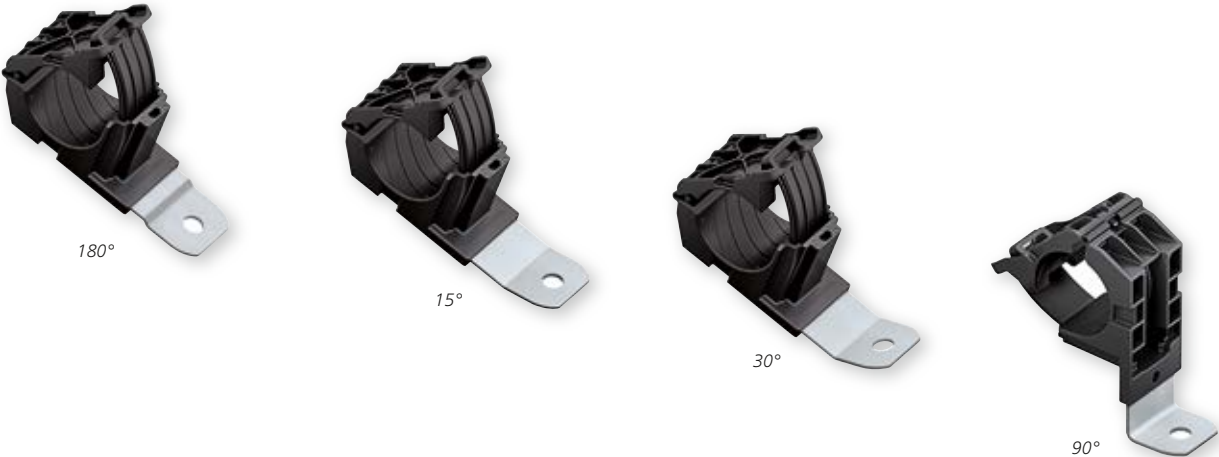
#### Multiple Configurations

You can stack and mix Ratchet P-Clamps with different mounting plate lengths and angles to manage diverse cable combinations. There is an unlimited number of possible routing options and configurations.



### Multiple Mounting Options

From slightly offset to raised off the frame or panel, and with various angles and mounting plate lengths, you can fix cables exactly where design specifications dictate. Each mounting plate option is offered in four angles (180°, 15°, 30° and 90°) and four different mounting hole diameters: M6 (6 mm), M8 (8 mm), M10 (10 mm) and M12 (12 mm).



Simply convenient



## Ease of use

No more struggling with grommets and two-piece designs that are difficult to handle. We also eliminated having to pry open the clamp when you need to reposition a bundle or change out the clamp. You can also use our EVO hand tools to secure the ratchet, if that is how you prefer to work.



### **One-Piece Design, One-Touch Secure**

Our one-piece, solid body design is operated manually, clicking as it closes to let you know it is secure. You will also never have to put a clamp in place and struggle to mount it while holding the pieces together around the bundle.



### **Releasability**

Releasability is one of Ratchet P-Clamp's unique features. All you need is a small, flat head screwdriver to open the clamp. Simply guide the screwdriver between the ratchet rails and pull away from the bundle. Ratchet P-Clamp's nondestructive, releasable clamp streamlines bundle installation and service.

### **Tension tab**

The tension tab is a molded plastic strap engineered specifically for using EVO series hand tools to close a Ratchet P-Clamp. Tension tabs enable you to fix bundles with precision, at any of 33 preset tension settings.



## Simply fitting





## Alignment

Because the clamp area is independent from the mounting plate, the design allows for pre-installation on frame rails and pre-assembly on wire harnesses. The advantage? Greater efficiencies that drive productivity and profitability.

### Pre-installation/Pre-assembly



During pre-installation, simply install bolts in mounting plates and leave the clamps open. You can then insert the bundle into multiple clamps along the route, in one pass, reducing installation time by getting the alignment right the first time.



You can also attach Ratchet P-Clamps along wire harnesses to pre-assemble the harness before taking the next step. You will streamline the process and add production line workflow flexibility.



### Contoured clamp interior

The contoured clamp interior helps to position and center cables or bundles as the clamp closes, minimizing pinching and the associated rework caused by damage to wires.



### Cable tie saddle

Working with customers on a variety of applications, we learned that electrical runs and other bundles sometimes need to be secured adjacent to side-by-side bundles. That inspired us to add the integrated cable tie saddle for additional routing. Rounded to cradle the bundle, the cable tie saddle enables fixing everything from T18 to wide strap ties.

Simply incredibly robust



## Durability

Whether you are assembling trucks or automobiles, manufacturing severe duty vehicles or wiring a solar farm, you will know that the cables will be secure, easy to maintain and functional for years to come.

### Robust materials



Impact modified, heat and UV stabilized PA66 material clamp is extremely durable and will not abrade cables and hoses. There is no coating to wear off and the robust living hinge is engineered to far exceed any expected application requirements.



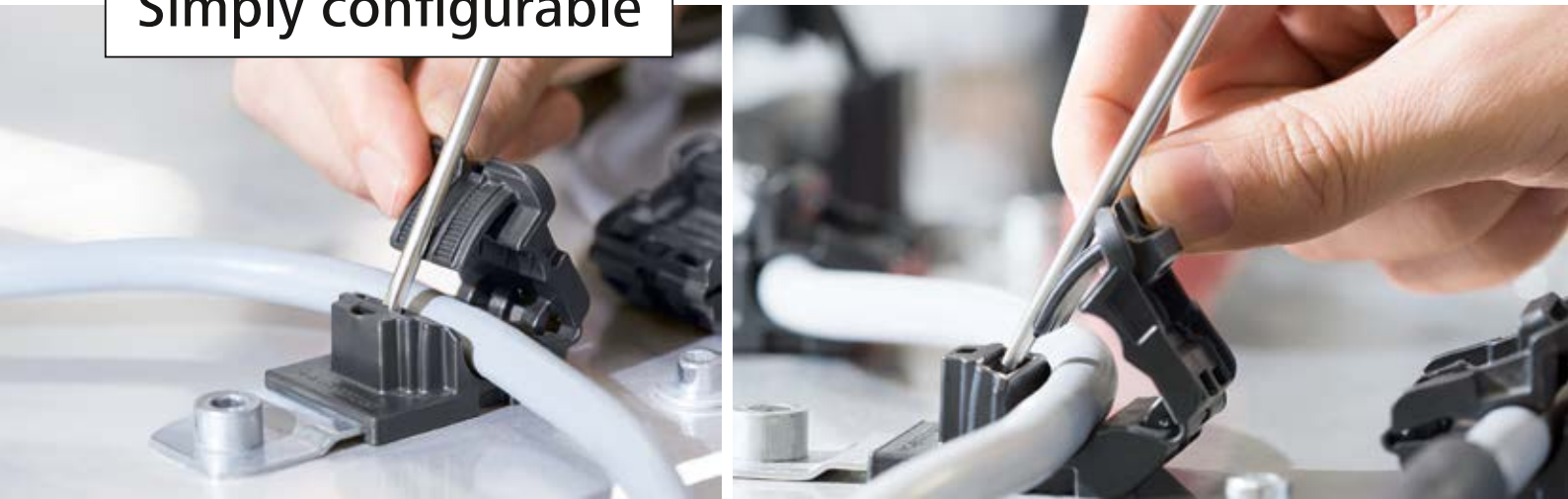
The stamped mounting plate is treated to resist chemicals and has a coating that meets RoHS specifications for environmental factors. The special hardened steel withstands high torque bolt installation.

### Soft inserts

Adding grommets or dipping metal P-Clamps in PVC has traditionally been the approach to making them less abrasive. But grommets sometimes fail to fit properly and PVC wears off over time. Soft inserts are an accessory that eliminates those issues, snapping precisely into the body of the clamp to provide an enhanced level of protection. You now have an ideal solution for applications with movement, high vibration or soft cable bundles.



## Simply configurable



### How to choose a Ratchet P-Clamp

#### STEP 1: Determine bundle diameter.

Match the bundle diameter range to the wire bundles you use.

Size bundle diameter range

A-Series 6.2 mm to 13.7 mm

B-Series 12.7 mm to 19.5 mm

C-Series 19.4 mm to 36.0 mm

D-Series 36.0 mm to 51.0 mm



#### STEP 2: Choose routing orientation/variant.

Choose from 180° straight, 15°, 30° or 90° angles.



#### STEP 3: Specify the length of the mounting plate.

We designed the mounting plate specification to be equal to the distance from center of clamp to center of mounting hole. Some angles/variants are not offered in all three lengths.



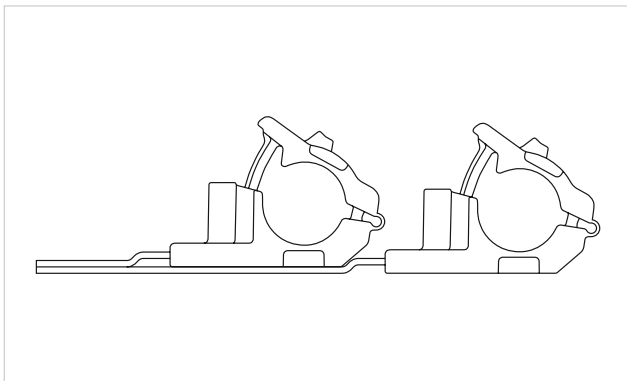
#### STEP 4: Choose bolt size/mounting hole diameter.

Each mounting plate option is offered in four different mounting hole diameters to accommodate the most common bolt sizes: M6 (6 mm), M8 (8 mm), M10 (10 mm) and M12 (12 mm).

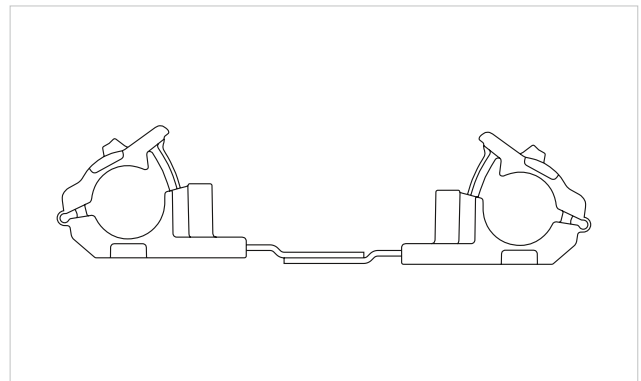


## Multiple configurations

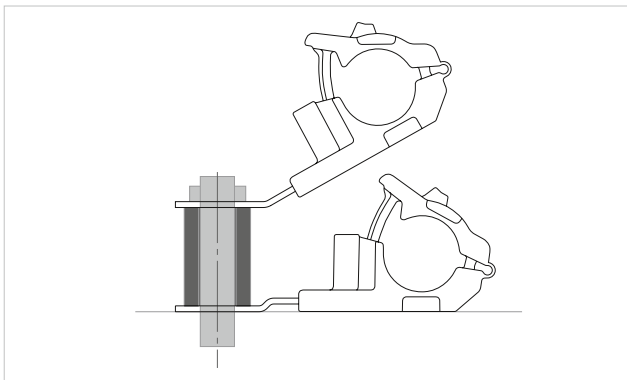
The wiring schemes in heavy duty applications become more complex day after day. Using a single mounting point, you can combine Ratchet P-Clamps to match the number, position and diameters of the wires or bundles inherent to today's wire management challenges. You will see below just a few of the nearly endless number of configurations you can arrange by mixing Ratchet P-Clamps of varying sizes and different mounting plates.



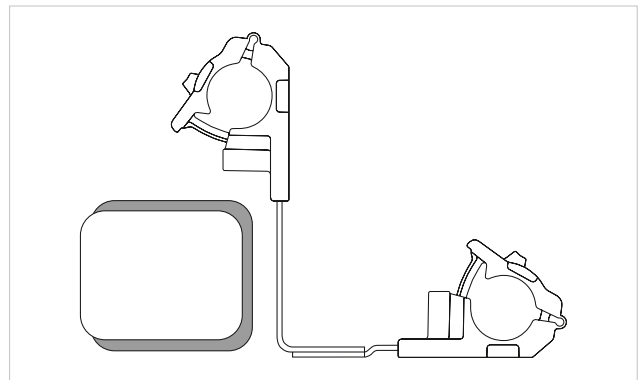
*You can piggy-back Ratchet P-Clamps by using different length mounting plates to secure parallel cable configurations.*



*Ratchet P-Clamp mounting plates are shaped to allow face-to-face positioning. By using different length mounting plates, you can vary the distance between bundles and take advantage of the optimal routing path.*



*Add a spacer between Ratchet P-Clamps to speed installation and maintenance of stacked wire bundles.*

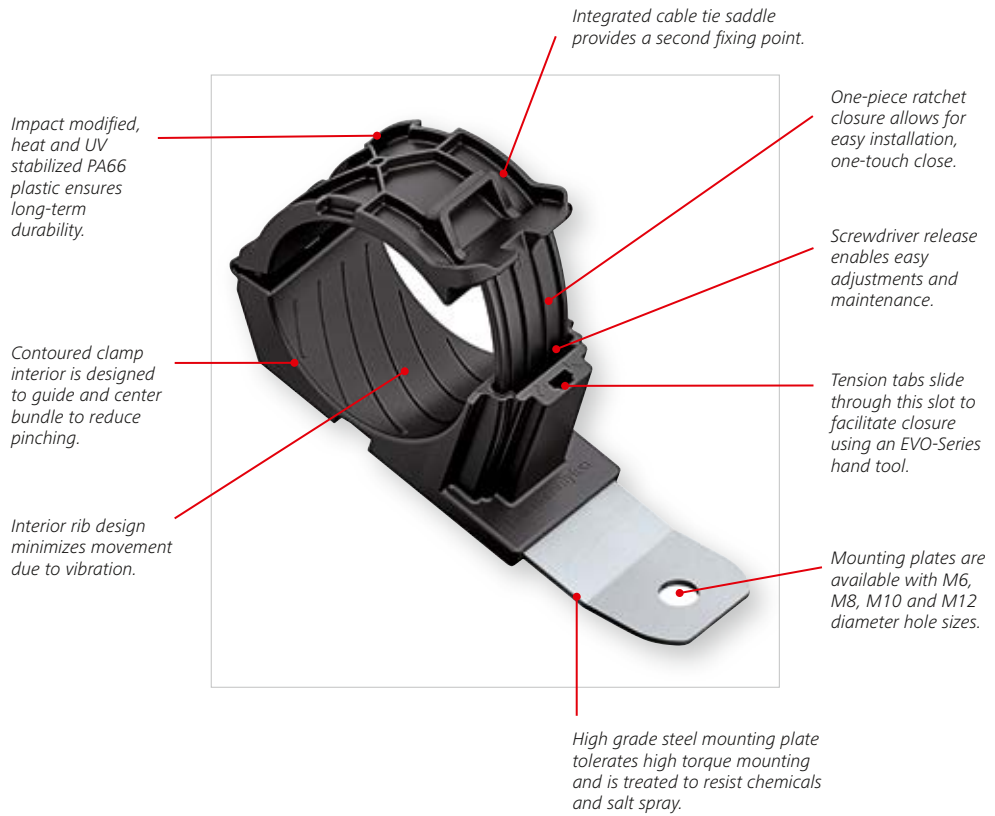


*90° angle mounting plates enable you to work around obstacles and protect wire from contacting moving parts.*

Simply well thought-out



## Features



RCD15S-Series.



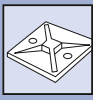
RCC15S-Series.



RCB15S-Series.



RCA15S-Series.



### Ratchet P-Clamp

For bundle diameters from 6.2 mm to 13.7 mm

The Ratchet P-Clamp family offers versatility when managing wires, cables and hoses. The robust design and durable materials make it ideal for heavy duty applications, both in- and outdoors. The one-piece adjustable clamp can be closed by hand to the desired diameter. The release feature provides easy and nondestructive removal of cables simply by using a flat-head screwdriver. This nondestructive release allows the clamp to be reused without removing or replacing any bolts or screws. The Ratchet P-Clamp is offered in four sizes and multiple mounting configurations.

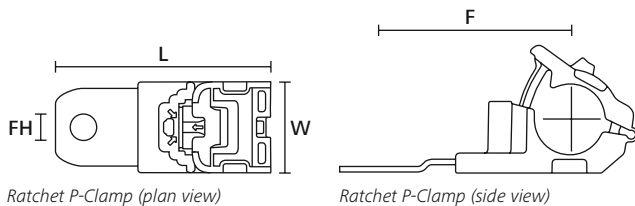
#### Features and benefits

- One-piece ratchet closure design allows for easy installation during pre- or final assembly
- Multiple configurations handle a wide range of diameters and applications, reducing part inventory
- Clamp interior is designed to guide and center bundle to reduce pinching
- Easy release feature allows for quick adjustments and maintenance
- Impact modified, heat and UV stabilised PA66 provides long-term durability, in- and outdoors
- Steel mounting plate tolerates high torque mounting and is treated to resist chemicals and salt spray



Ratchet P-Clamps in multiple configurations to handle a wide range of diameters and applications.

<b>MATERIAL</b>	Polyamide 6.6, high impact modified, heat and UV stabilised (PA66HIRHSUV), Steel (ST), Zinc plated (ZN)
<b>Operating Temperature</b>	-40 °C to +125 °C, (+150 °C, 240 h)
<b>Flammability</b>	UL 94 HB



Ratchet P-Clamp (plan view)

Ratchet P-Clamp (side view)



One Step to the Web!

TYPE	Width (W)	Length (L)	Bundle Ø min.	Bundle Ø max.	Hole Ø (FH)	Fixing Hole Centres (F)	Variant	Material	Colour	Article-No.
RCA90SM6	34.9	101.9	6.2	13.7	M6	24.9	90° Short	PA66HIRHSUV, ST, ZN	Black (BK)	151-01643
RCA90SM8	34.9	101.9	6.2	13.7	M8	24.9	90° Short	PA66HIRHSUV, ST, ZN	Black (BK)	151-01434
RCA90SM10	34.9	101.9	6.2	13.7	M10	24.9	90° Short	PA66HIRHSUV, ST, ZN	Black (BK)	151-01435
RCA90SM12	34.9	101.9	6.2	13.7	M12	24.9	90° Short	PA66HIRHSUV, ST, ZN	Black (BK)	151-01436
RCA30SM6	34.9	113.5	6.2	13.7	M6	47.7	30° Short	PA66HIRHSUV, ST, ZN	Black (BK)	151-01641
RCA30SM8	34.9	113.5	6.2	13.7	M8	47.7	30° Short	PA66HIRHSUV, ST, ZN	Black (BK)	151-01428
RCA30SM10	34.9	113.5	6.2	13.7	M10	47.7	30° Short	PA66HIRHSUV, ST, ZN	Black (BK)	151-01429
RCA30SM12	34.9	113.5	6.2	13.7	M12	47.7	30° Short	PA66HIRHSUV, ST, ZN	Black (BK)	151-01430
RCA15SM6	34.9	115.6	6.2	13.7	M6	54.7	15° Short	PA66HIRHSUV, ST, ZN	Black (BK)	151-01640
RCA15SM8	34.9	115.6	6.2	13.7	M8	54.7	15° Short	PA66HIRHSUV, ST, ZN	Black (BK)	151-01425
RCA15SM10	34.9	115.6	6.2	13.7	M10	54.7	15° Short	PA66HIRHSUV, ST, ZN	Black (BK)	151-01426
RCA15SM12	34.9	115.6	6.2	13.7	M12	54.7	15° Short	PA66HIRHSUV, ST, ZN	Black (BK)	151-01427
RCA180SM6	34.9	116.2	6.2	13.7	M6	50.5	180° Short	PA66HIRHSUV, ST, ZN	Black (BK)	151-01637
RCA180SM8	34.9	116.2	6.2	13.7	M8	50.5	180° Short	PA66HIRHSUV, ST, ZN	Black (BK)	151-01416
RCA180SM10	34.9	116.2	6.2	13.7	M10	50.5	180° Short	PA66HIRHSUV, ST, ZN	Black (BK)	151-01417
RCA180SM12	34.9	116.2	6.2	13.7	M12	50.5	180° Short	PA66HIRHSUV, ST, ZN	Black (BK)	151-01418
RCA90LM6	34.9	129.9	6.2	13.7	M6	24.9	90° Long	PA66HIRHSUV, ST, ZN	Black (BK)	151-01644
RCA90LM8	34.9	129.9	6.2	13.7	M8	24.9	90° Long	PA66HIRHSUV, ST, ZN	Black (BK)	151-01437

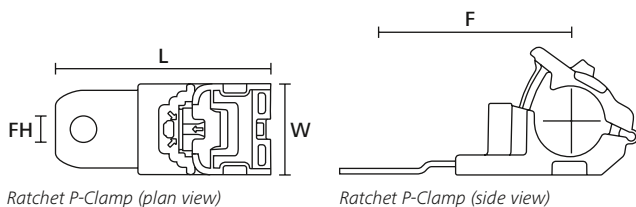
All dimensions in mm. Subject to technical changes.





### Ratchet P-Clamp

For bundle diameters from 6.2 mm to 13.7 mm

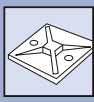


Ratchet P-Clamp (plan view)

Ratchet P-Clamp (side view)

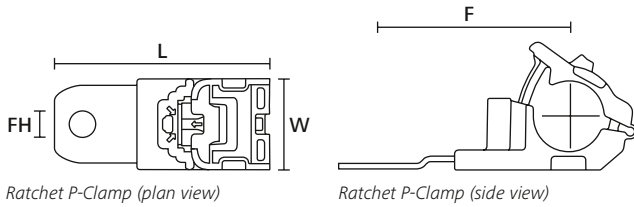
TYPE	Width (W)	Length (L)	Bundle Ø min.	Bundle Ø max.	Hole Ø (FH)	Fixing Hole Centres (F)	Variant	Material	Colour	Article-No.
RCA90LM10	34.9	129.9	6.2	13.7	M10	24.9	90° Long	PA66HIRHSUV, ST, ZN	Black (BK)	151-01438
RCA90LM12	34.9	129.9	6.2	13.7	M12	24.9	90° Long	PA66HIRHSUV, ST, ZN	Black (BK)	151-01439
RCA180MM6	34.9	138.2	6.2	13.7	M6	72.5	180° Medium	PA66HIRHSUV, ST, ZN	Black (BK)	151-01638
RCA180MM8	34.9	138.2	6.2	13.7	M8	72.5	180° Medium	PA66HIRHSUV, ST, ZN	Black (BK)	151-01419
RCA180MM10	34.9	138.2	6.2	13.7	M10	72.5	180° Medium	PA66HIRHSUV, ST, ZN	Black (BK)	151-01420
RCA180MM12	34.9	138.2	6.2	13.7	M12	72.5	180° Medium	PA66HIRHSUV, ST, ZN	Black (BK)	151-01421
RCA30LM6	34.9	150.5	6.2	13.7	M6	72.4	30° Long	PA66HIRHSUV, ST, ZN	Black (BK)	151-01642
RCA30LM8	34.9	150.5	6.2	13.7	M8	72.4	30° Long	PA66HIRHSUV, ST, ZN	Black (BK)	151-01431
RCA30LM10	34.9	150.5	6.2	13.7	M10	72.4	30° Long	PA66HIRHSUV, ST, ZN	Black (BK)	151-01432
RCA30LM12	34.9	150.5	6.2	13.7	M12	72.4	30° Long	PA66HIRHSUV, ST, ZN	Black (BK)	151-01433
RCA180LM6	34.9	167.2	6.2	13.7	M6	101.5	180° Long	PA66HIRHSUV, ST, ZN	Black (BK)	151-01639
RCA180LM8	34.9	167.2	6.2	13.7	M8	101.5	180° Long	PA66HIRHSUV, ST, ZN	Black (BK)	151-01422
RCA180LM10	34.9	167.2	6.2	13.7	M10	101.5	180° Long	PA66HIRHSUV, ST, ZN	Black (BK)	151-01423
RCA180LM12	34.9	167.2	6.2	13.7	M12	101.5	180° Long	PA66HIRHSUV, ST, ZN	Black (BK)	151-01424

All dimensions in mm. Subject to technical changes.



### Ratchet P-Clamp

For bundle diameters from 12.7 mm to 19.5 mm

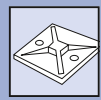


Ratchet P-Clamp (plan view)

Ratchet P-Clamp (side view)

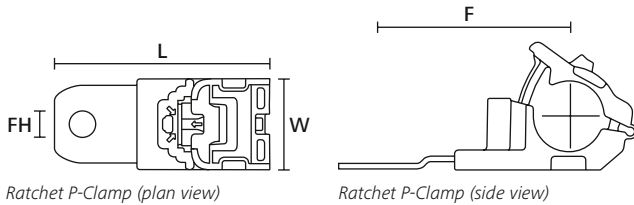
TYPE	Width (W)	Length (L)	Bundle Ø min.	Bundle Ø max.	Hole Ø (FH)	Fixing Hole Centres (F)	Variant	Material	Colour	Article-No.
RCB90SM6	34.9	101.9	12.7	19.5	M6	26.7	90° Short	PA66HIRHSUV, ST, ZN	Black (BK)	151-01651
RCB90SM8	34.9	101.9	12.7	19.5	M8	26.7	90° Short	PA66HIRHSUV, ST, ZN	Black (BK)	151-01457
RCB90SM10	34.9	101.9	12.7	19.5	M10	26.7	90° Short	PA66HIRHSUV, ST, ZN	Black (BK)	151-01458
RCB90SM12	34.9	101.9	12.7	19.5	M12	26.7	90° Short	PA66HIRHSUV, ST, ZN	Black (BK)	151-01459
RCB30SM6	34.9	113.5	12.7	19.5	M6	48.8	30° Short	PA66HIRHSUV, ST, ZN	Black (BK)	151-01649
RCB30SM8	34.9	113.5	12.7	19.5	M8	48.8	30° Short	PA66HIRHSUV, ST, ZN	Black (BK)	151-01451
RCB30SM10	34.9	113.5	12.7	19.5	M10	48.8	30° Short	PA66HIRHSUV, ST, ZN	Black (BK)	151-01452
RCB30SM12	34.9	113.5	12.7	19.5	M12	48.8	30° Short	PA66HIRHSUV, ST, ZN	Black (BK)	151-01453
RCB15SM6	34.9	115.6	12.7	19.5	M6	56.5	15° Short	PA66HIRHSUV, ST, ZN	Black (BK)	151-01648
RCB15SM8	34.9	115.6	12.7	19.5	M8	56.5	15° Short	PA66HIRHSUV, ST, ZN	Black (BK)	151-01448
RCB15SM10	34.9	115.6	12.7	19.5	M10	56.5	15° Short	PA66HIRHSUV, ST, ZN	Black (BK)	151-01449
RCB15SM12	34.9	115.6	12.7	19.5	M12	56.5	15° Short	PA66HIRHSUV, ST, ZN	Black (BK)	151-01450
RCB180SM6	34.9	116.2	12.7	19.5	M6	52.8	180° Short	PA66HIRHSUV, ST, ZN	Black (BK)	151-01645
RCB180SM8	34.9	116.2	12.7	19.5	M8	52.8	180° Short	PA66HIRHSUV, ST, ZN	Black (BK)	151-01440
RCB180SM10	34.9	116.2	12.7	19.5	M10	52.8	180° Short	PA66HIRHSUV, ST, ZN	Black (BK)	151-01390
RCB180SM12	34.9	116.2	12.7	19.5	M12	52.8	180° Short	PA66HIRHSUV, ST, ZN	Black (BK)	151-01441
RCB90LM6	34.9	129.9	12.7	19.5	M6	26.7	90° Long	PA66HIRHSUV, ST, ZN	Black (BK)	151-01652
RCB90LM8	34.9	129.9	12.7	19.5	M8	26.7	90° Long	PA66HIRHSUV, ST, ZN	Black (BK)	151-01460
RCB90LM10	34.9	129.9	12.7	19.5	M10	26.7	90° Long	PA66HIRHSUV, ST, ZN	Black (BK)	151-01461
RCB90LM12	34.9	129.9	12.7	19.5	M12	26.7	90° Long	PA66HIRHSUV, ST, ZN	Black (BK)	151-01462
RCB180MM6	34.9	138.2	12.7	19.5	M6	74.8	180° Medium	PA66HIRHSUV, ST, ZN	Black (BK)	151-01646
RCB180MM8	34.9	138.2	12.7	19.5	M8	74.8	180° Medium	PA66HIRHSUV, ST, ZN	Black (BK)	151-01442
RCB180MM10	34.9	138.2	12.7	19.5	M10	74.8	180° Medium	PA66HIRHSUV, ST, ZN	Black (BK)	151-01443
RCB180MM12	34.9	138.2	12.7	19.5	M12	74.8	180° Medium	PA66HIRHSUV, ST, ZN	Black (BK)	151-01444
RCB30LM6	34.9	150.5	12.7	19.5	M6	73.5	30° Long	PA66HIRHSUV, ST, ZN	Black (BK)	151-01650
RCB30LM8	34.9	150.5	12.7	19.5	M8	73.5	30° Long	PA66HIRHSUV, ST, ZN	Black (BK)	151-01454
RCB30LM10	34.9	150.5	12.7	19.5	M10	73.5	30° Long	PA66HIRHSUV, ST, ZN	Black (BK)	151-01455
RCB30LM12	34.9	150.5	12.7	19.5	M12	73.5	30° Long	PA66HIRHSUV, ST, ZN	Black (BK)	151-01456
RCB180LM6	34.9	167.2	12.7	19.5	M6	103.8	180° Long	PA66HIRHSUV, ST, ZN	Black (BK)	151-01647
RCB180LM8	34.9	167.2	12.7	19.5	M8	103.8	180° Long	PA66HIRHSUV, ST, ZN	Black (BK)	151-01445
RCB180LM10	34.9	167.2	12.7	19.5	M10	103.8	180° Long	PA66HIRHSUV, ST, ZN	Black (BK)	151-01446
RCB180LM12	34.9	167.2	12.7	19.5	M12	103.8	180° Long	PA66HIRHSUV, ST, ZN	Black (BK)	151-01447

All dimensions in mm. Subject to technical changes.



### Ratchet P-Clamp

For bundle diameters from 19.4 mm to 36.0 mm

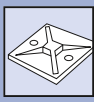


Ratchet P-Clamp (plan view)

Ratchet P-Clamp (side view)

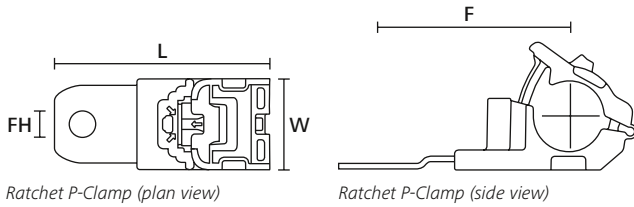
TYPE	Width (W)	Length (L)	Bundle Ø min.	Bundle Ø max.	Hole Ø (FH)	Fixing Hole Centres (F)	Variant	Material	Colour	Article-No.
RCC90SM6	34.9	141.8	19.4	36.0	M6	39.9	90° Short	PA66HIRHSUV, ST, ZN	Black (BK)	151-01659
RCC90SM8	34.9	141.8	19.4	36.0	M8	39.9	90° Short	PA66HIRHSUV, ST, ZN	Black (BK)	151-01492
RCC90SM10	34.9	141.8	19.4	36.0	M10	39.9	90° Short	PA66HIRHSUV, ST, ZN	Black (BK)	151-01493
RCC90SM12	34.9	141.8	19.4	36.0	M12	39.9	90° Short	PA66HIRHSUV, ST, ZN	Black (BK)	151-01494
RCC30SM6	34.9	153.4	19.4	36.0	M6	50.5	30° Short	PA66HIRHSUV, ST, ZN	Black (BK)	151-01657
RCC30SM8	34.9	153.4	19.4	36.0	M8	50.5	30° Short	PA66HIRHSUV, ST, ZN	Black (BK)	151-01486
RCC30SM10	34.9	153.4	19.4	36.0	M10	50.5	30° Short	PA66HIRHSUV, ST, ZN	Black (BK)	151-01487
RCC30SM12	34.9	153.4	19.4	36.0	M12	50.5	30° Short	PA66HIRHSUV, ST, ZN	Black (BK)	151-01488
RCC15SM6	34.9	155.5	19.4	36.0	M6	62.3	15° Short	PA66HIRHSUV, ST, ZN	Black (BK)	151-01656
RCC15SM8	34.9	155.5	19.4	36.0	M8	62.3	15° Short	PA66HIRHSUV, ST, ZN	Black (BK)	151-01483
RCC15SM10	34.9	155.5	19.4	36.0	M10	62.3	15° Short	PA66HIRHSUV, ST, ZN	Black (BK)	151-01484
RCC15SM12	34.9	155.5	19.4	36.0	M12	62.3	15° Short	PA66HIRHSUV, ST, ZN	Black (BK)	151-01485
RCC180SM6	34.9	156.1	19.4	36.0	M6	62.3	180° Short	PA66HIRHSUV, ST, ZN	Black (BK)	151-01653
RCC180SM8	34.9	156.1	19.4	36.0	M8	62.3	180° Short	PA66HIRHSUV, ST, ZN	Black (BK)	151-01474
RCC180SM10	34.9	156.1	19.4	36.0	M10	62.3	180° Short	PA66HIRHSUV, ST, ZN	Black (BK)	151-01475
RCC180SM12	34.9	156.1	19.4	36.0	M12	62.3	180° Short	PA66HIRHSUV, ST, ZN	Black (BK)	151-01476
RCC90LM6	34.9	169.8	19.4	36.0	M6	39.9	90° Long	PA66HIRHSUV, ST, ZN	Black (BK)	151-01660
RCC90LM8	34.9	169.8	19.4	36.0	M8	39.9	90° Long	PA66HIRHSUV, ST, ZN	Black (BK)	151-01495
RCC90LM10	34.9	169.8	19.4	36.0	M10	39.9	90° Long	PA66HIRHSUV, ST, ZN	Black (BK)	151-01496
RCC90LM12	34.9	169.8	19.4	36.0	M12	39.9	90° Long	PA66HIRHSUV, ST, ZN	Black (BK)	151-01497
RCC180MM6	34.9	178.1	19.4	36.0	M6	84.3	180° Medium	PA66HIRHSUV, ST, ZN	Black (BK)	151-01654
RCC180MM8	34.9	178.1	19.4	36.0	M8	84.3	180° Medium	PA66HIRHSUV, ST, ZN	Black (BK)	151-01477
RCC180MM10	34.9	178.1	19.4	36.0	M10	84.3	180° Medium	PA66HIRHSUV, ST, ZN	Black (BK)	151-01478
RCC180MM12	34.9	178.1	19.4	36.0	M12	84.3	180° Medium	PA66HIRHSUV, ST, ZN	Black (BK)	151-01479
RCC30LM6	34.9	190.4	19.4	36.0	M6	75.2	30° Long	PA66HIRHSUV, ST, ZN	Black (BK)	151-01658
RCC30LM8	34.9	190.4	19.4	36.0	M8	75.2	30° Long	PA66HIRHSUV, ST, ZN	Black (BK)	151-01489
RCC30LM10	34.9	190.4	19.4	36.0	M10	75.2	30° Long	PA66HIRHSUV, ST, ZN	Black (BK)	151-01490
RCC30LM12	34.9	190.4	19.4	36.0	M12	75.2	30° Long	PA66HIRHSUV, ST, ZN	Black (BK)	151-01491
RCC180LM6	34.9	207.1	19.4	36.0	M6	113.3	180° Long	PA66HIRHSUV, ST, ZN	Black (BK)	151-01655
RCC180LM8	34.9	207.1	19.4	36.0	M8	113.3	180° Long	PA66HIRHSUV, ST, ZN	Black (BK)	151-01480
RCC180LM10	34.9	207.1	19.4	36.0	M10	113.3	180° Long	PA66HIRHSUV, ST, ZN	Black (BK)	151-01481
RCC180LM12	34.9	207.1	19.4	36.0	M12	113.3	180° Long	PA66HIRHSUV, ST, ZN	Black (BK)	151-01482

All dimensions in mm. Subject to technical changes.



### Ratchet P-Clamp

For bundle diameters from 36.0 mm to 51.0 mm



TYPE	Width (W)	Length (L)	Bundle Ø min.	Bundle Ø max.	Hole Ø (FH)	Fixing Hole Centres (F)	Variant	Material	Colour	Article-No.
RCD90SM6	34.9	167.2	36.0	51.0	M6	42.4	90° Short	PA66HIRHSUV, ST, ZN	Black (BK)	151-01667
RCD90SM8	34.9	167.2	36.0	51.0	M8	42.4	90° Short	PA66HIRHSUV, ST, ZN	Black (BK)	151-01518
RCD90SM10	34.9	167.2	36.0	51.0	M10	42.4	90° Short	PA66HIRHSUV, ST, ZN	Black (BK)	151-01519
RCD90SM12	34.9	167.2	36.0	51.0	M12	42.4	90° Short	PA66HIRHSUV, ST, ZN	Black (BK)	151-01520
RCD30SM6	34.9	178.8	36.0	51.0	M6	55.9	30° Short	PA66HIRHSUV, ST, ZN	Black (BK)	151-01665
RCD30SM8	34.9	178.8	36.0	51.0	M8	55.9	30° Short	PA66HIRHSUV, ST, ZN	Black (BK)	151-01512
RCD30SM10	34.9	178.8	36.0	51.0	M10	55.9	30° Short	PA66HIRHSUV, ST, ZN	Black (BK)	151-01513
RCD30SM12	34.9	178.8	36.0	51.0	M12	55.9	30° Short	PA66HIRHSUV, ST, ZN	Black (BK)	151-01514
RCD15SM6	34.9	180.9	36.0	51.0	M6	69.1	15° Short	PA66HIRHSUV, ST, ZN	Black (BK)	151-01664
RCD15SM8	34.9	180.9	36.0	51.0	M8	69.1	15° Short	PA66HIRHSUV, ST, ZN	Black (BK)	151-01509
RCD15SM10	34.9	180.9	36.0	51.0	M10	69.1	15° Short	PA66HIRHSUV, ST, ZN	Black (BK)	151-01510
RCD15SM12	34.9	180.9	36.0	51.0	M12	69.1	15° Short	PA66HIRHSUV, ST, ZN	Black (BK)	151-01511
RCD180SM6	34.9	181.5	36.0	51.0	M6	70.0	180° Short	PA66HIRHSUV, ST, ZN	Black (BK)	151-01661
RCD180SM8	34.9	181.5	36.0	51.0	M8	70.0	180° Short	PA66HIRHSUV, ST, ZN	Black (BK)	151-01499
RCD180SM10	34.9	181.5	36.0	51.0	M10	70.0	180° Short	PA66HIRHSUV, ST, ZN	Black (BK)	151-01501
RCD180SM12	34.9	181.5	36.0	51.0	M12	70.0	180° Short	PA66HIRHSUV, ST, ZN	Black (BK)	151-01502
RCD90LM6	34.9	195.2	36.0	51.0	M6	42.4	90° Long	PA66HIRHSUV, ST, ZN	Black (BK)	151-01628
RCD90LM8	34.9	195.2	36.0	51.0	M8	42.4	90° Long	PA66HIRHSUV, ST, ZN	Black (BK)	151-01521
RCD90LM10	34.9	195.2	36.0	51.0	M10	42.4	90° Long	PA66HIRHSUV, ST, ZN	Black (BK)	151-01522
RCD90LM12	34.9	195.2	36.0	51.0	M12	42.4	90° Long	PA66HIRHSUV, ST, ZN	Black (BK)	151-01523
RCD180MM6	34.9	203.5	36.0	51.0	M6	92.0	180° Medium	PA66HIRHSUV, ST, ZN	Black (BK)	151-01662
RCD180MM8	34.9	203.5	36.0	51.0	M8	92.0	180° Medium	PA66HIRHSUV, ST, ZN	Black (BK)	151-01503
RCD180MM10	34.9	203.5	36.0	51.0	M10	92.0	180° Medium	PA66HIRHSUV, ST, ZN	Black (BK)	151-01504
RCD180MM12	34.9	203.5	36.0	51.0	M12	92.0	180° Medium	PA66HIRHSUV, ST, ZN	Black (BK)	151-01505
RCD30LM6	34.9	215.8	36.0	51.0	M6	80.5	30° Long	PA66HIRHSUV, ST, ZN	Black (BK)	151-01666
RCD30LM8	34.9	215.8	36.0	51.0	M8	80.5	30° Long	PA66HIRHSUV, ST, ZN	Black (BK)	151-01515
RCD30LM10	34.9	215.8	36.0	51.0	M10	80.5	30° Long	PA66HIRHSUV, ST, ZN	Black (BK)	151-01516
RCD30LM12	34.9	215.8	36.0	51.0	M12	80.5	30° Long	PA66HIRHSUV, ST, ZN	Black (BK)	151-01517
RCD180LM6	34.9	232.5	36.0	51.0	M6	121.0	180° Long	PA66HIRHSUV, ST, ZN	Black (BK)	151-01663
RCD180LM8	34.9	232.5	36.0	51.0	M8	121.0	180° Long	PA66HIRHSUV, ST, ZN	Black (BK)	151-01506
RCD180LM10	34.9	232.5	36.0	51.0	M10	121.0	180° Long	PA66HIRHSUV, ST, ZN	Black (BK)	151-01507
RCD180LM12	34.9	232.5	36.0	51.0	M12	121.0	180° Long	PA66HIRHSUV, ST, ZN	Black (BK)	151-01508

All dimensions in mm. Subject to technical changes.



### Ratchet P-Clamp

#### Accessories

The Ratchet P-Clamp family offers optional accessories for different user needs. The tension tab provides a specified tension when clamping around the bundle when used with EVO-Series hand tools. The soft inserts deliver an additional level of protection for sensitive bundles or high vibration applications.

#### Features and benefits

- For pre-determined clamp pressure, a tension tab is available
- Tension tab for use with our EVO-Series hand tools
- Soft inserts for an additional level of protection



Tension tab can be used to ensure specific tension.



Ratchet P-Clamp inserts for additional level of protection.

<b>MATERIAL</b>	Thermoplastic Elastomer (TPE)	Polyamide 6.6, high impact modified, heat and UV stabilised (PA66HIRHSUV)
<b>Operating Temperature</b>	-40 °C to +90 °C	-40 °C to +105 °C
<b>Flammability</b>	UL 94 HB	



TYPE	Variant	Material	Colour	Article-No.
<b>RCTT</b>	No Serration	PA66HIRHSUV	Black (BK)	151-01529
<b>RCINSERTA</b>	Rubber profile	TPE	Black (BK)	151-01530
<b>RCINSERTB</b>	Rubber profile	TPE	Black (BK)	151-01531
<b>RCINSERTC</b>	Rubber profile	TPE	Black (BK)	151-01532
<b>RCINSERTD</b>	Rubber profile	TPE	Black (BK)	151-01533

All dimensions in mm. Subject to technical changes.



### Manual tensioning tool plastic housing

#### EVO7 up to 4.8 mm strap width

HellermannTyton's EVO7 mechanical hand tool was ergonomically designed to reduce the risks of repetitive stress injuries to operators while concurrently increasing productivity. The EVO7 Tension/Lock/Cut Technology delivers performance, safety and comfort for the operators. Available in a standard grip span (EVO7) or short grip span (EVO7SP), for smaller hands. Additional accessories are available.

#### Features and benefits

- Ergonomic, slip-proof handle for a comfortable and secure grip
- Extremely low-maintenance
- Fast and precise application with minimum effort (TLC mechanism)
- Convenient and simple tension adjustment
- Extended, slim nose for use in narrow spaces
- Housing made of resilient and lightweight glass fibre-reinforced polyester
- Standard grip span (90 mm) and short grip span (80 mm) available



The EVO7: Maximum performance with minimum effort.

TYPE	Description	Strap Width max.	Strap Thickness max.	Weight	Article-No.
EVO7	EVO7	4.8	1.5	0.28 kg	110-70129
EVO7SP	EVO7SP	4.8	1.5	0.28 kg	110-70130
BLADEKIT	Blade-Kit	-	-	-	110-70106

All dimensions in mm. Subject to technical changes.

### Manual tensioning tool plastic housing

#### EVO9 up to 13.5 mm strap width

The EVO9 is available in a standard grip span 90 mm (EVO9) or short grip span 80 mm (EVO9SP), for smaller hands. Both tools perform between 53N and 307N. The EVO9 and EVO9SP were designed to apply HellermannTyton cable ties from 50 lbs. until 255 lbs. with a maximum width of 13.5 mm.

#### Features and benefits

- Standard grip span (90 mm) and short grip span (80 mm) available
- Ergonomic, slip-proof handle for a comfortable and secure grip
- Extremely low-maintenance
- Fast and precise application with minimum effort (TLC-technology)
- Convenient and simple tension adjustment
- Integrated 3 position quick adjustment override (EVO9/EVO9SP/EVO9HT)
- Housing made of resilient and lightweight glass fibre-reinforced polyester



The EVO9 application tool for easiest operation due to TLC technology.

TYPE	Description	Strap Width max.	Strap Thickness max.	Weight	Article-No.
EVO9	EVO9	13.5	2.0	0.36 kg	110-80002
EVO9SP	EVO9SP	13.5	2.0	0.36 kg	110-80003
EVO9HT	EVO9HT	13.5	2.0	0.36 kg	110-80017
Replacement Blade	EVO9 Blade	-	-	-	110-80037

All dimensions in mm. Subject to technical changes.

## Our 2017/2018 Product Catalogue

One Company. 650 pages.  
Limitless Cablemanagement Solutions.

- 650 pages featuring new products and innovations
- Quick comparison of products and specifications
- Tailored solutions for specialised application needs
- All current product information available online at any time




## Europe

 **HellermannTyton GmbH – Austria**  
Rennbahnweg 65  
1220 Vienna  
Tel.: +43 12 59 99 55-0  
Fax: +43 12 59 99 11  
Email: office@HellermannTyton.at  
www.HellermannTyton.at

 **HellermannTyton – Bulgaria**  
Email: officeBG@HellermannTyton.at  
www.HellermannTyton.at

 **HellermannTyton – Czech Republic**  
Email: officeCZ@HellermannTyton.at  
www.HellermannTyton.cz

 **HellermannTyton – Denmark**  
Industrivej 44A, 1.  
4000 Roskilde  
Tel.: +45 702 371 20  
Fax: +45 702 371 21  
Email: htdk@HellermannTyton.dk  
www.HellermannTyton.dk

 **HellermannTyton – Finland**  
Sähkötie 8  
01510 Vantaa  
Tel.: +358 9 8700 450  
Fax: +358 9 8700 4520  
Email: myynti@HellermannTyton.fi  
www.HellermannTyton.fi

 **HellermannTyton S.A.S. – France**  
2 rue des Hêtres – CS 80543  
78197 Trappes Cedex  
Tel.: +33 1 30 13 80 00  
Fax: +33 1 30 13 80 60  
Email: info@HellermannTyton.fr  
www.HellermannTyton.fr

 **HellermannTyton GmbH – Germany**  
Großer Moorweg 45  
25436 Tornesch  
Tel.: +49 4122 701-0  
Fax: +49 4122 701-400  
Email: info@HellermannTyton.de  
www.HellermannTyton.de

 **HellermannTyton KFT – Hungary**  
Kisfaludy u. 13  
1044 Budapest  
Tel.: +36 1 369 4151  
Fax: +36 1 369 4151  
Email: officeHU@HellermannTyton.at  
www.HellermannTyton.hu

 **HellermannTyton Ltd – Ireland**  
Unit A5 Cherry Orchard  
Business Park  
Ballyfermot, Dublin 10  
Tel.: +353 1 626 8267  
Fax: +353 1 626 8022  
Email: sales@HellermannTyton.ie  
www.HellermannTyton.co.uk

 **HellermannTyton S.r.l. – Italy**  
Via Visco, 3/5  
35010 Limena (PD)  
Tel.: +39 049 767 870  
Fax: +39 049 767 985  
Email: info@HellermannTyton.it  
www.HellermannTyton.it

 **HellermannTyton B.V. – Belgium/Netherlands**  
Vanadiumweg 11-C  
3812 PX Amersfoort  
Tel.: +31 33 460 06 90  
Fax: +31 33 460 06 99  
Email (NL): info@HellermannTyton.nl  
Email (BE): info@HellermannTyton.be  
www.HellermannTyton.nl  
www.HellermannTyton.be

 **HellermannTyton AS – Norway**  
PO Box 240 Alnabru  
0614 Oslo  
Tel.: +47 23 17 47 00  
Fax: +47 22 97 09 70  
Email: firmapost@HellermannTyton.no  
www.HellermannTyton.no

 **HellermannTyton Sp. z o.o. – Poland**  
Kotunia 111  
62-400 Stupca  
Tel.: +48 63 2237 111  
Fax: +48 63 2237 110  
Email: info@HellermannTyton.pl  
www.HellermannTyton.pl

 **HellermannTyton – Romania**  
Email: officeRO@HellermannTyton.at  
www.HellermannTyton.at

 **OOO HellermannTyton – Russia**  
40/4, Pulkovskoe road  
BC Technopolis Pulkovo, office A 8081  
196158, St. Petersburg  
Tel.: +7 812 386 00 09  
Fax: +7 812 386 00 08  
Email: info@HellermannTyton.ru  
www.HellermannTyton.ru

 **HellermannTyton – Slovenia**  
Branch Office Ljubljana  
Podružnica Ljubljana, Leskoškova 6  
1000 Ljubljana  
Tel.: +386 1 433 70 56  
Fax: +386 1 433 63 21  
Email: officeSI@HellermannTyton.at  
www.HellermannTyton.si

 **HellermannTyton España s.l. – Spain / Portugal**  
Avda. de la Industria 37 2º 2  
28108 Alcobendas, Madrid  
Tel.: +34 91 661 2835  
Fax: +34 91 661 2368  
Email:  
HellermannTyton@HellermannTyton.es  
www.HellermannTyton.es

 **HellermannTyton AB – Sweden**  
Isafjordsgatan 5  
16440 Kista  
Tel.: +46 8 580 890 00  
Fax: +46 8 580 348 02  
Email: kundsupport@HellermannTyton.se  
www.HellermannTyton.se

 **HellermannTyton Engineering GmbH – Turkey**  
Saray Mah Dr. Adnan Büyükdenez Cad. No:4  
Akkom Office Park 2. Blok Kat: 10  
34768 Umraniye-Istanbul  
Tel.: +90 216 687 03 40  
Fax: +90 216 250 32 32  
Email: info@HellermannTyton.com.tr  
www.HellermannTyton.com.tr

 **HellermannTyton Ltd – UK**  
William France Road  
Plymouth International Medical  
and Technology Park  
Plymouth, Devon PL6 5WR  
Tel.: +44 1752 701 261  
Fax: +44 1752 790 058  
Email: info@HellermannTyton.co.uk  
www.HellermannTyton.co.uk

 **HellermannTyton Ltd – UK**  
Sharston Green Business Park  
1 Robeson Way  
Altrincham Road, Wythenshawe  
Manchester M22 4TY  
Tel.: +44 161 947 2200  
Fax: +44 161 947 2220  
Email: sales@HellermannTyton.co.uk  
www.HellermannTyton.co.uk

 **HellermannTyton Ltd – UK**  
Cley Road, Kingswood Lakeside  
Cannock, Staffordshire  
WS11 8AA  
Tel.: +44 1543 728282  
Fax: +44 1543 728284  
Email: info@HellermannTyton.co.uk  
www.HellermannTyton.co.uk


 **HellermannTyton Data Ltd – UK**  
Cornwell Business Park  
43-45 Salthouse Road, Brackmills  
Northampton NN4 7EX  
Tel.: +44 1604 707 420  
Fax: +44 1604 705 454  
Email: sales@htdata.co.uk  
www.htdata.co.uk

## Middle East

 **HellermannTyton – UAE**  
Email: info@HellermannTyton.ae  
www.HellermannTyton.ae

## North America


 **HellermannTyton – Canada**  
Tel.: +1 905 726 1221  
Fax: +1 905 726 8538  
Email: sales@HellermannTyton.ca  
www.HellermannTyton.ca

 **HellermannTyton – Mexico**  
Tel.: +52 333 133 9880  
Fax: +52 333 133 9861  
Email: info@HellermannTyton.com.mx  
www.HellermannTyton.com


 **HellermannTyton – USA**  
Tel.: +1 414 355 1130  
Fax: +1 414 355 7341  
Email: corp@htamericas.com  
www.HellermannTyton.com

## South America


 **HellermannTyton – Argentina**  
Tel.: +54 11 4754 5400  
Fax: +54 11 4752 0374  
Email: ventas@HellermannTyton.com.ar  
www.HellermannTyton.com.ar


 **HellermannTyton – Brazil**  
Tel.: +55 11 4815 9000  
Fax: +55 11 4815 9030  
Email: vendas@HellermannTyton.com.br  
www.HellermannTyton.com.br


## Asia-Pacific

 **HellermannTyton – Australia**  
Tel.: +61 2 9525 2133  
Fax: +61 2 9526 2495  
Email: cservice@HellermannTyton.com.au  
www.HellermannTyton.com.au

 **HellermannTyton – China**  
Tel.: +86 510 8528 2536  
Fax: +86 510 8528 2731  
Email: cservice@HellermannTyton.com.cn  
www.HellermannTyton.com.cn


 **HellermannTyton – Hong Kong**  
Tel.: +852 2831 9090  
Fax: +852 2832 9381  
Email: cservice@HellermannTyton.com.hk  
www.HellermannTyton.com.sg


 **HellermannTyton – India**  
Tel.: +91 120 413 3384  
Email: cservice@HellermannTyton.co.in  
www.HellermannTyton.co.in

 **HellermannTyton – Japan**  
Tel.: +81 3 5790 3111  
Fax: +81 3 5790 3112  
Email: mkt@hellermannTyton.co.jp  
www.HellermannTyton.co.jp

 **HellermannTyton – Republic of Korea**  
Tel.: +82 32 833 8012  
Fax: +82 32 833 8013  
Email: cservice@HellermannTyton.co.kr  
www.HellermannTyton.co.kr

 **HellermannTyton – Philippines**  
Tel.: +63 2 752 6551  
Fax: +63 2 752 6553  
Email: cservice@HellermannTyton.com.ph  
www.HellermannTyton.com.ph

 **HellermannTyton – Singapore**  
Tel.: +65 6 586 1919  
Fax: +65 6 752 2527  
Email: cservice@HellermannTyton.sg  
www.HellermannTyton.com.sg

 **HellermannTyton – Thailand**  
Tel.: +662 237 6702 / 266 0624  
Fax: +662 266 8664  
Email: cservice@HellermannTyton.co.th  
www.HellermannTyton.com.sg

## Africa

 **HellermannTyton – South Africa**  
Tel.: +27 11 879 6600  
Fax: +27 11 879 6603  
Email: jhb.sales@HellermannTyton.co.za  
www.HellermannTyton.co.za